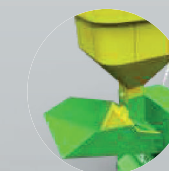


**THE SOLUTION FOR THE PRODUCER
LA SOLUCIÓN PARA EL PRODUCTOR**

FORAGE CHOPPER - MOLINO



JF Máquinas Agrícolas Ltda

Address / Dirección

CNPJ: 46.127.635/0001-55

Rua Santa Terezinha, Nº921.

Jd. Guarujá - Itapira - SP - Brasil

Cep: 13973-900

Caixa Postal: 114.

(55 19) 3863-9642

Post Sale Department

Departamento de Post Venta

e-mailfalecom@jfmaquinas.com.br

e-mail

Website

www.jfmaquinas.com

1 - Introduction

Congratulations! You have just purchased a Forage Chopper JF 15D which is simple to operate and maintain. This is the highest quality in this kind of product, especially designed to meet your needs.

This manual contains operating instructions that must be followed in order to provide good operation, safety, and durability for your JF 15D. We recommend reading it first carefully before starting to operate the machine.

You will find an identification plate fastened on the machine displaying the manufacturing serial number. Note this number is on the guarantee certificate of this manual. This information is very important for the identification of your machine, whenever you may need technical support or replacements of parts.

In case of further questions, contact one of our Authorized Resellers or our After Sales Department once we will have the pleasure of assist you as necessary.

After Sales Departmet

Telephones(+55 19) 3863-9658 - External Trade
 (+ 55 19) 3863-9642 - Internal Trade

e-mailfalecom@jfmaquinas.com.br

Websitewww.jfmaquinas.com

The images displayed in this manual are only for illustrative purposes. Thus to facilitate your viewing, the images show cutaway or the safety shielding removed for displaying it more clearly. Do not operate the machine under any circumstances without these respective protective shields.

Index

Introduction	03
Environmental conservation	05
Safety	05
Safety adhesive labels	08
Introducing the forage chopper	09
Aplication	10
Actuation	10
Operation	10
Assembly driven by electric motors	11
Assembly on the stand extension	13
Cyclone assembly	15
Assembly driven by diesel or gasoline motors	16
Assembly as a tractor accessory	17
Operation	18
Maintenance	20
Removing the blades	21
Sharpening the blades	21
Adjusting the counter-blade	21
Changing the hammers	22
Lubrication	22
Technical characteristics	23
Production	23
Weights and dimensions	25
Practical guide	26
Warranty term	27
Technical delivery receipt	29



CERTIFICADO DE GARANTÍA

JF Máquinas Agrícolas garantiza la máquina aquí caracterizada contra defectos de fabricación debidamente comprobados por la fábrica, dentro de las siguientes condiciones:

- 1- La garantía es válida durante los primeros 12 (doce) meses, contados a partir de la fecha de emisión de la factura de venta al primer propietario / consumidor, siendo:
03 (tres) primeros meses - garantía legal;
09 (nueve) últimos meses - garantía adicional concedida por JF Máquinas Agrícolas.
- 2- Consiste en la presente garantía, en el compromiso de JF en reparar o suministrar gratuitamente, en su fábrica, las piezas que a su exclusivo juicio presentan defectos de fabricación. La garantía cubre exclusivamente defectos de material y / o fabricación, mientras que la mano de obra, flete y otros gastos no están cubiertos por este certificado;
- 3- No son garantizadas por JF piezas defectuosas por uso indebido, desgaste derivado de uso normal, uso en desacuerdo con el manual de instrucciones o causadas por agentes de la naturaleza o accidentes;
- 4- La presente garantía se invalidará íntegramente en los siguientes casos:
 - 4.1- Aplicación inadecuada de la máquina, en desacuerdo con el Manual de Instrucciones;
 - 4.2- Uso de lubricantes no recomendados en el Manual de instrucciones;
 - 4.3- Modificaciones, adaptaciones y / o reparaciones realizadas por personas no autorizadas por el fabricante;
 - 4.4- Empleo de piezas o componentes no originales;
 - 4.5- Uso de tractor con potencia superior a la máxima recomendada en el Manual de Instrucciones;
 - 4.6- Presentación de Notas Fiscales de compra rasuradas o adulteradas.
- 5- Las reclamaciones sobre eventuales defectos durante el período de la garantía deberán ser presentadas a los revendedores locales, que las encaminar a la fábrica junto con la pieza defectuosa, que será sustituida, si se reconoce el defecto. En caso de ocurrir el desplazamiento de cualquier Técnico o Mecánico para la atención en la propiedad, éste será de responsabilidad del Propietario de la máquina;
- 6- Sólo se cumplen las cláusulas del presente Certificado de Garantía, si el TÉRMINO DE RECIBO es debidamente rellenado y enviado a JF en el momento de la entrega de la máquina (ver 'INSTRUCCIONES DE ENVÍO PARA LA FÁBRICA' en el TÉRMINO DE RECIBO);
- 7- El fabricante se reserva el derecho de efectuar modificaciones en sus productos sin que ello asegure en ninguna obligación de aplicarlas a los productos anteriormente fabricados.

¡IMPORTANTE!

Esta máquina debe ser operada exclusivamente por persona debidamente capacitada para este fin.

JF ofrece regularmente cursos de capacitación operacional para toda su línea de máquinas. Para mayor información, consulte el sitio: www.jfmaquinas.com.br o póngase en contacto con el Servicio de Atención al Cliente a través del teléfono +55 19 3863 9642.

Guía práctica

Trabado de la máquina	Debido al exceso de alimentación, el motor no consigue mantener la rotación necesaria y el producto se acumula dentro de la máquina	Parar el motor, limpiar el exceso de producto, arrancar nuevamente y controlar la alimentación de la máquina de manera que no exija más que la capacidad indicada.
Baja producción	1- Alimentación insuficiente de la máquina	1- La alimentación debe ser continua, aunque no en exceso, pues puede causar trabado
	2- Rotación de la máquina debajo de la indicada	2- Si la rotación de la máquina estuviere debajo de la indicada, los martillos tardarán más para triturar el producto y con eso, caerá la producción. Por tanto, se debe mantener la rotación indicada para la máquina
	3- Producto húmedo	3- Si los productos estuvieren muy húmedos, los orificios de los filtros podrán quedar bloqueados. Por tanto, se deben triturar solo productos secos
	4- Regulado de la máquina incompatible con el producto a ser obtenido	4- Se debe verificar si el filtro usado es compatible con el producto a ser obtenido
Corte irregular del producto	1- Falta de filo en las cuchillas	1- Afilar nuevamente las cuchillas conforme indicado en el ítem "Afilado de las cuchillas"
	2- Contracuchilla gastada o desregulada	2- Seguir el indicado en el ítem "Regulado de la contracuchilla"
Deficiencia al moler productos secos	1- Martillos gastados o dañados	1- Cambiar los lados de los martillos o por nuevos, procediendo conforme indicado en el ítem "cambio de martillos"
	2- Martillos presos	2- Lavar los picos, cuchillas y martillos, con agua después de picar productos verdes principalmente antes de paradas prolongadas
Dificultad de arranque del accionamiento	Exceso de producto dentro de la máquina	Al terminar el trabajo, dejar a máquina en funcionamiento, hasta la salida completa del producto

Environmental conservation

JF Máquinas is continually concerned with the environmental conservation, in the development phase, as well in the utilization of processes and materials ecologically appropriate in its production and its products.

PROTECT AND RESPECT THE ENVIRONMENT, remember that conservation is the social responsibility of everyone. These concepts include compliance with legally defined disposal of used lubrication products and fluids, old tires, and packaging. Never dispose of these products or empty packaging in swamplands, lakes, rivers, puddles etc. Share these recommendations with others and make other people aware of the importance of conserving the environment.

Safety

The JF Máquinas is concerned about the safety of people involved in operating and performing maintenance procedures on the machine. In developing this design, we have considered every detail in order to avoid unexpected accidents while operating it. We have developed safety shielding and eliminated dangerous situations. Remember, keeping people healthy and their physical integrity must always be considered to the utmost.

We have prepared this manual to make you familiar with your machine and, so that you can use it correctly and safety.

We recommend carefully reading it before operating the machine the first time. If you have any doubts or questions, please get In touch with us at your JF Máquinas reseller or our technical support department.



Safety Warnings

Safety warnings alert on situations that can be dangerous in some way. They are accompanied by instructions for protecting the operator and other users.

DANGER Warnings!

These warning refer to dangerous situations, which may result in serious accidents and be life threatening, if the instructions are not strictly abided by.

CAUTION Warnings!

This type warns on dangerous situations and informs on necessary precautions in order to avoid any possible accidents.

SAFETY PRECAUTIONS

- Read the instruction Manual before turning on the machine. Pay attention and abide by all the recommendations for safely operating the equipment. SHARE THIS INFORMATION WITH ALL OTHER USERS.

- Do not operate the machine while or after drinking alcoholic beverages or medications which affect your normal condition. Pay attention to what you are doing and use your good sense. Any lack of attention while operating the machine can result in a serious accident.

- Turn off the motor before adjusting, lubricating, or performing any maintenance job on the machine. Never try to perform any repairs when machines are on. Always pay attention!
- Check to see if there are any tools or objects on it, before turning on the machine.
- Look around the machine before turning it on. Keep animal and spectators at a safe distance, away from eating areas. Be especially careful of children.
- Wear personal operating equipment - PPE - when operating the machine. Prolonged exposure to noise can cause hearing damage or loss. Wear hearing protectors and safety glasses.
- Dress appropriately when operating the machine. Tie back long hair and do not wear clothing which is too loose. Remove rings, chains, and other elements, which could get stuck in the moving parts or mechanisms.
- Never try to open the machine when it is operating.
- Never touch the pulleys or belts when the machine is turned on. Keep your distance from moving parts.
- Keep the safety adhesive labels in good condition and legible. Replace them whenever necessary.
- Keep all the protective shielding in its proper places and do not operate the machine without it being installed.
- People must not remain on any part of the machine when it is operating.
- Turn off the motor and wait until all the parts are completely motionless, whenever, it is necessary to get on the machine to perform any adjustment or repair.
- Never try to clean or remove remaining products, straw etc., when the machine is turned on. Turn off the motor and wait for all the parts to stop moving before cleaning any part of the machine.
- Never leave the machine operating and leave the area. Always turn off the motor before leaving the working area.
- Keep the surrounding areas free and unobstructed, so the operator can move safely around the machine and the product being processed.
- Lower the machine completely to the ground before performing any maintenance, lubrication, or adjustments. If it is necessary work on the machine when it is lifted hydraulically, make sure it is supported securely. Hydraulic mechanisms can move without any warning or due to leakage and causa an accident.
- Never place the machine on cement blocks, hollow bricks, or other supports which can be crushed from the effects of loads during long periods of time.
- Never work under a hoisted machine raised just on a jack, always put a secure support under it.

Pesos y dimensiones

Peso (con caballete) (Kg)	122
Espacio ocupado por la máquina (m)	0,95 x 0,70
Espacio ocupado por la máquina sin centrifuga - con base (m)	0,95 x 1,40
Espacio ocupado con centrífuga e con base (m)	1,40 x 2,10
Altura de la máquina (con caballete) (m)	1,25
Altura de la centrifuga (m)	1,90

Polea del motor (accionamiento con motor eléctrico)

JF 15D	ALTA ROTACIÓN (3500 RPM)		BAIXA ROTAÇÃO (1750 RPM)	
	Ø Polea del Motor (mm)	Numero de canales	Ø Polea del Motor (mm)	Numero de canales
	115	3B	215	3B

Polea de la máquina (accionamiento con motores)

MOTORES		TRACTOR	
Ø Polea VB (mm)	Número de Canales B (c/ volante)	Ø Polea VA (mm)	Número de Canales (s/ volante)
120	4	85	6

Correas (accionamiento con motor eléctrico)

	ALTA ROTACIÓN (3500 RPM)		BAJA ROTACIÓN (1750 RPM)	
	Correa	Cantidad	Correa	Cantidad
Base	B-81	3	B-85	3
Caballote Prolongado*	B-58	3	B-58	3

Poleas y correas (accionamiento con tractor)

	Polea Ø (mm)		Correas	
	Máquina	Accesorio	Tipo	Cantidad
JF 15D	85	480	A-80	6

Correas (accionamiento con motor/diesel/gasolina)

	TIPO	Cantidade c/ Volante
JF 15D	B-81	3

- If you notice any abnormal operation: vibrations, strange noises etc., immediately turn off the machine. Check and eliminate the cause, before turning it on again.

- Moveable parts and components, due to inertia, they continue moving after the machine stops operating. Before touching any part, disconnect the actuation source, look, and listen to see if there is any evidence of movement. Only touch a part if you are sure it is motionless. Always pay close attention!

- Before starting the electrical installation of the motor, make sure the local electricity is turned off.

- The installation of electric motors must be performed by a qualified electrician. The dimensioning of the cables and the utilization of starting devices must comply with currently applicable safety standards.

- There must be enough space around the machine for circulation to keep it permanently unobstructed and to allow for safe movement of the operator and the product being processed.

- We recommend installing the machine in a flat location, free of oil, grease, holes, protected from the sun and rain. Contact with water increases the hazard of electrical shock.

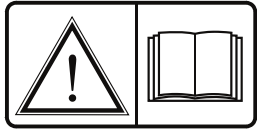
- Never operate the machine inside closed locations and without ventilation, the gases released from the motor (diesel or gasoline) are toxic and highly harmful to health.

- Be prepared in case of an accident. Keep a first-aid kit on hand and easily accessible. Know how to use it.

- Do not use this equipment for applications which are not mentioned and considered unacceptable in the manual and not authorized by the manufacturer. Making adaptations or using after-market parts can compromise the operation, be dangerous to the safety of the operator, and invalidate the guarantee.

- Follow the safety recommendations and pay attention. Lack of attention while operating can cause accidents.

Safety adhesive labels



Read the instruction manual before turning on the machine. Pay close attention to all the operating and safety recommendations, in order to avoid any unexpected accidents that may occur while operating the machine.



Before performing any maintenance, adjustment or lubrication in the machine, turn off the engine and disconnect the power plug. Risk of injury from moving parts. Failure to follow this instruction may result in serious accidents.



With the machine on, never insert your hands in the spouts to try to remove remnants of products or push them inside. Failure to follow this instruction may result in serious accidents.



When operating the harvester, wear personal protective equipment (PPE). Prolonged exposure to noise, without noise protection can cause hearing loss.

Características técnicas

POTENCIA NECESARIA (HP)			NUMERO DE CUCHILLAS Y MARTILLOS		ROTACIÓN
Motor Eléctrico	Motor a gasolina	Motor a diesel	Numero de martillos	Número de cuchillas	RPM
10.0 a 12.5	12.5 a 15.0	10.0 a 13.0	24	2	3300



Nota:
El sentido de rotación es el del reloj, cuando mirado desde el pico de alimentación (fig. al lado).



Producción (kg/hora)

	PRODUCTOS SECOS					PRODUCTOS VERDES
	Maíz con paja y sabugo			Maíz desgranado		Raíces y tubérculos/ pasto y caña de azúcar
Filtro	10 mm	5 mm	5 mm	3 mm	0.8 mm	Cinta lisa
	700/800	350/500	850/1150	700/900	150/200	3000/4000



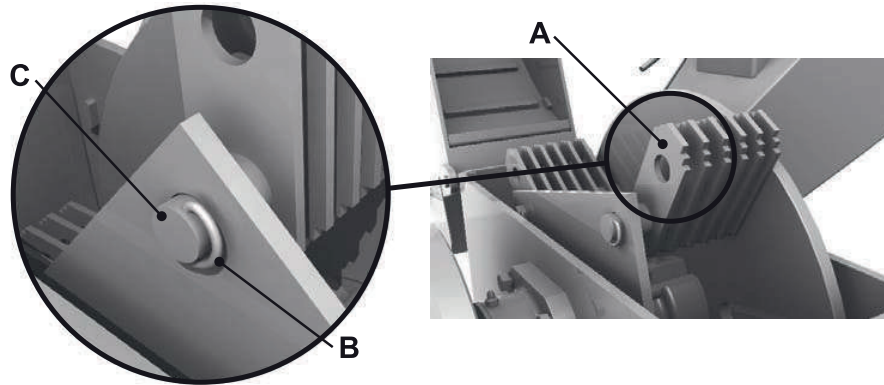
Nota:
Las producciones arriba son valores de referencia, obtenidos de test, pudiendo variar de acuerdo con el grado de humedad del producto, peso específico y condiciones de trabajo.

Cambio de los martillos

Los martillos (A) poseen 4 caras dentadas para ser cambiadas a medida que se desgastan. Para cambiar la cara o substituirlos, proceder de la siguiente manera:

1- Cortar las trabas (B) de los bujes de los martillos.

2- Retirar los bujes de los martillos (C), observando el posicionamiento correcto de los anillos separadores, y tomándose el cuidado de no mezclar los juegos de martillos, pues eso perjudicaría el balanceo de la máquina, provocando vibraciones.

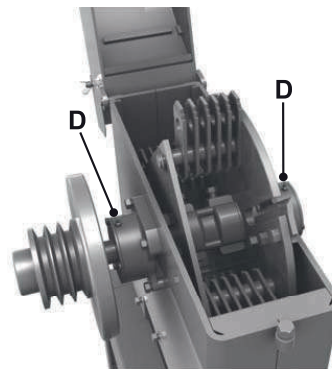


Lubricación

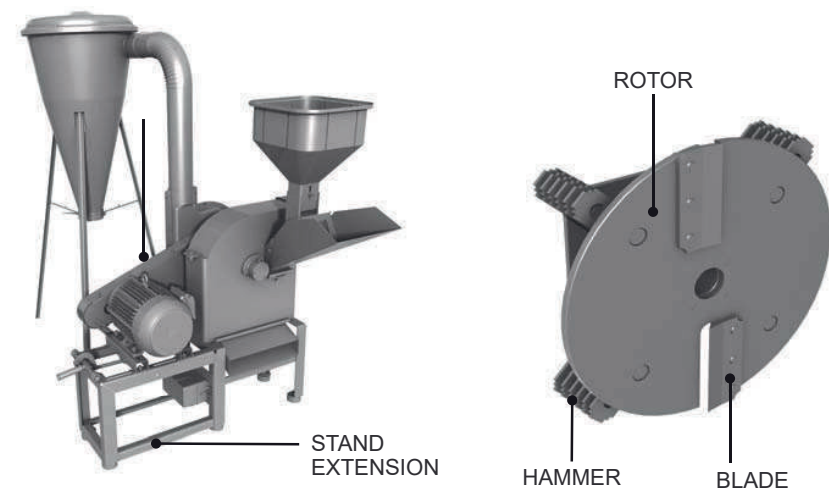
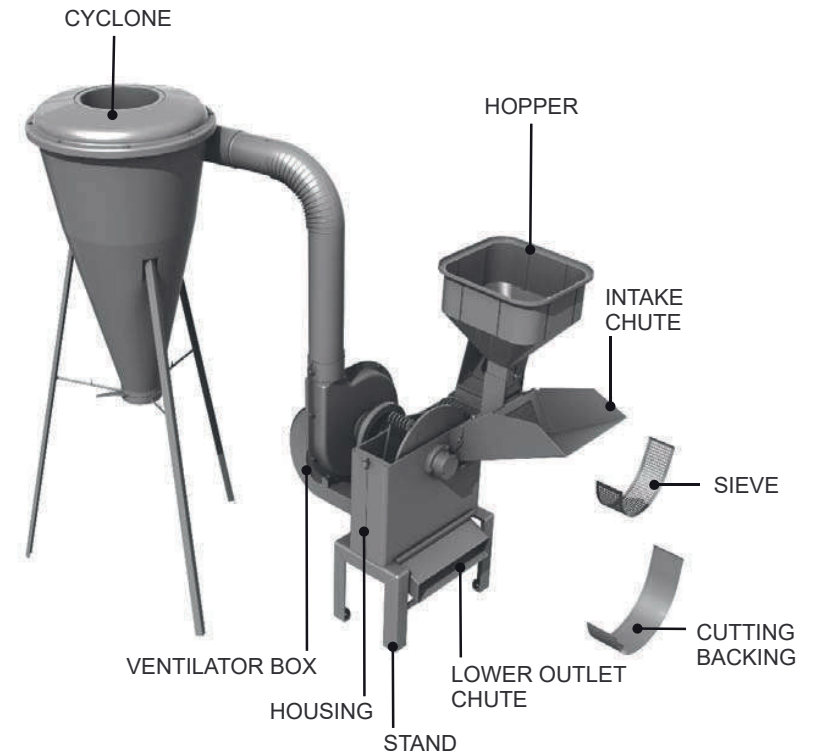
1- Los únicos puntos de lubricación son los cojinetes de rodamientos (D).
2- La lubricación debe ser hecha semanalmente.

Lubricar con el auxilio de una engrasadora los rodamientos de los cojinetes (D), con grasa especial para rodamientos, a base de jabón de litio, clasificación NLGI 2 EP. Ejemplo de grasa: LUBRAX LITH-2.

Antes de lubricar, limpie bien las engrasadoras para evitar la contaminación de la grasa. Substituya engrasadoras dañadas. La lubricación es más eficiente cuando es hecha al final del período de trabajo, pues la grasa fluye mejor mientras la máquina todavía está caliente.



Introducing the forage chopper



* motor supplied when ordered.

Application

JF Máquinas forage chopper can be used for dried products as well as for fresh products. Thus, for such products as sugarcane, grasses, branches, roots, tubers and forages used for daily animal feed, as well as for shredding dry products, as corn kernels, corn with the leaves and cob, dried rice plants, corn stalks, dried cereals, cereal straw, and others, used for preparing animal feed and foods.

Using this machine for products, such as soybeans and rice, will wear out the components prematurely, due to their abrasive nature. So, for this reason, if the user using the machine for such products then the user will lose the guarantee and then, the user will be liable for the results.

Actuation

The JF 15D can be driven by motors (electric, diesel or gasoline) and by tractors. The accessories for coupling include the stands, pulleys and belts and are supplied when ordered by the customer.

Operation

DRY PRODUCTS:

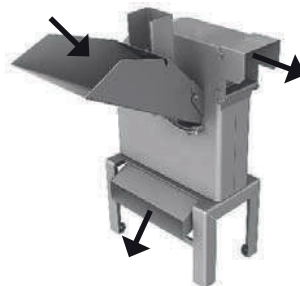
The product, such as grains or cereals, is placed in the intake chute or in the hopper, and drains into the blades, which crack them and then it flows inside of the machine, where it is hit by the hammers. Then it is filtered through the sieve.

The granulation of the product depends on the sieve used. This product can leave the machine through a cyclone or just by draining into the lower outlet.



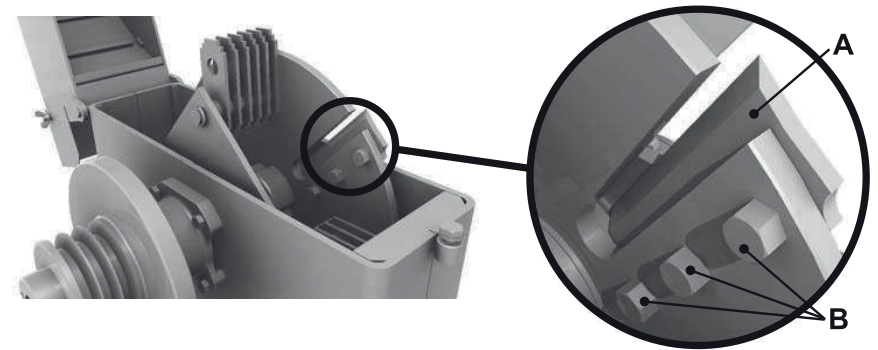
FRESH PRODUCTS:

The product is placed in the intake chute and drained until it comes to the blades, which are responsible for cutting it. The product can come out from the lower chute as well as the upper outlet.



Remoción de las cuchillas

Para remover las cuchillas (A), basta retirar los tornillos (B), junto con las respectivas arandelas.



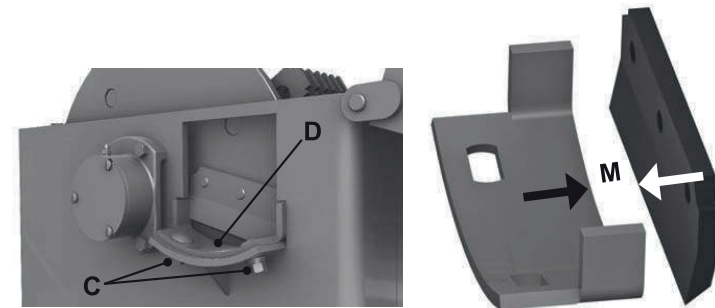
Afilado de las cuchillas

- 1- El afilado de la cuchilla debe ocurrir siempre que el corte estuviere gastado.
- 2- Debe ser hecha solo de un lado del corte de la cuchilla, procurándose mantener la misma inclinación del corte original.
- 3- Se debe procurar retirar la misma cantidad de material en cada cuchilla, para no perjudicar el balanceo.
- 4- Las cuchillas deberán ser substituidas cuando no posibilitaren más afilado.

Regulado de la contracuchilla

Para regular la contracuchilla, proceder de la siguiente manera:

- 1- Soltar las tuercas de los dos tornillos (C).
- 2- Desplazar la contracuchilla (D) hasta que la distancia entre cuchilla y contracuchilla (medida M de la figura abajo) sea de aproximadamente 0,5 mm.
- 3- Reajustar las tuercas (C).

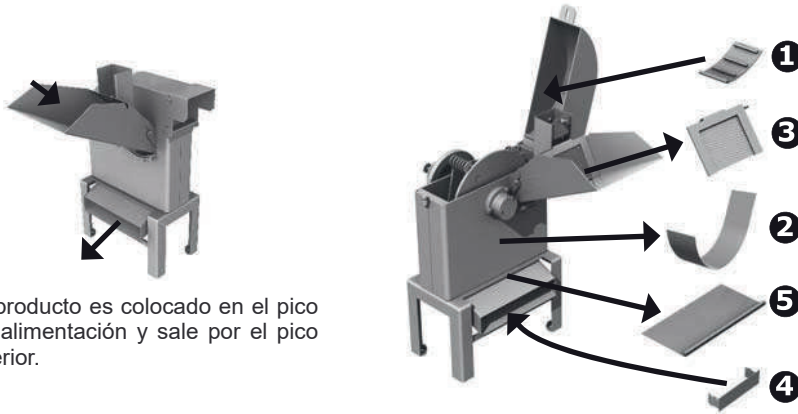


Nota:

Se debe substituir la contracuchilla cuando estuviere gasta y reajustarla periódicamente.

PARA CORTAR RAÍCES Y TUBÉRCULOS

- 1- Retirar la cinta lisa/ filtro (2).
- 2- Colocar la contratapa (1).
- 3- Retirar la tapa móvil del pico de alimentación (3).
- 4- Retirar el cierra-fondo (5).
- 5- Colocar el aislador de aspiración (4) - si la máquina está equipada con centrífuga.



El producto es colocado en el pico de alimentación y sale por el pico inferior.

Mantenimiento

Su JF 15D necesita un mínimo de mantenimiento para garantizar máximo rendimiento y durabilidad. Para tanto, algunos cuidados son indispensables:

- Mantener las cuchillas bien afiladas.
- Mantener la contracuchilla debidamente regulada con las cuchillas.
- Lubricar los rodamientos periódicamente.
- Mantener las correas estiradas y sustituirlas cuando desgastadas o resecaas.
- Substituir el juego de cuchillas o martillos, cuando dañadas o desgastados.
- No utilizar la máquina faltando martillos o cuchillas.



Importante!

El uso de piezas o accesorios no originales de fábrica, puede provocar accidentes, causar daños al equipamiento y perjudicar su funcionamiento, además de implicar la pérdida de la garantía ofrecida.

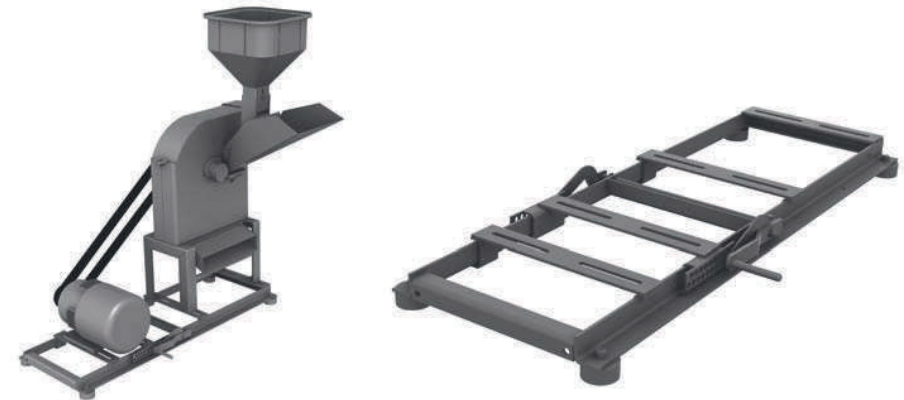


Cuidado!

Apague la máquina antes de realizar regulados, ajustes, lubricación o cualquier servicio de mantenimiento. Al substituir tornillos y tuercas, utilice siempre la misma especificación de los originales. Coloque todas las protecciones antes de encender la máquina.

Assembly driven by electric motors

The JF 15D requires some accessories for coupling to electric motors, such as bases, pulleys and belts.



The machine and the motor are installed on a one-piece base. JF Máquinas stand is equipped with special rubber feet which do away for the need of any other base.

1- Electric installation for the power source:

This must be done based on the technical specifications, considering such factors as: distance, correct cabling distance, as well as breaker switches and safety devices.

2- Electric motor installation:

This must comply with the technical based on the motor specifications. For motors over 5 hp power, we recommend installing a triangle-star switch for turning on the actuation.

ASSEMBLY OF THE MOTOR ON THE BASE



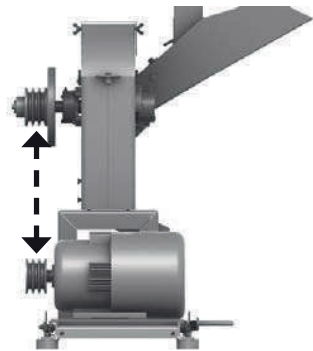
INSTALLING THE MACHINE AND THE MOTOR ON THE BASE

The base is already prepared with specific places for placing the machine and supporting it, as well as moveable rails for fastening the motor. Once the machine and the motor are placed on the base, then it is necessary to proceed in aligning the pulleys. Following that, install the base feet for the machine and the motor. Then place the belts and stretch them adequately, using the lever on the base.

The machine must operate at the correct rotation speed. Therefore, we recommend using the pulleys and belts as defined on the tables in this manual.



Place the machine and the motor on the base.



Align the pulleys and fasten the motor base and the machine to the rails of the base



Place the belts



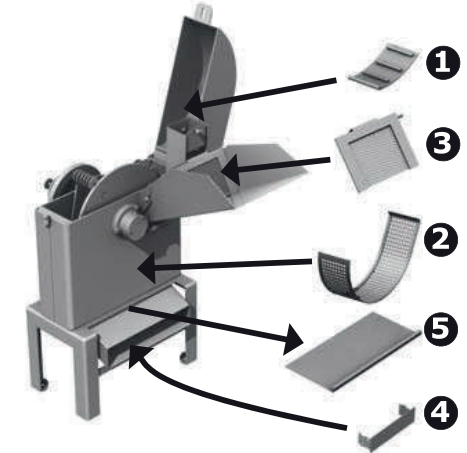
Stretch the belts

PARA MOLER PRODUCTOS SECOS SIN UTILIZAR CENTRÍFUGA

- 1- Colocar el aislador de aspiración (4) - si la máquina está equipada con centrífuga.
- 2- Colocar la contratapa (1).
- 3- Colocar el filtro conforme el producto que se desea obtener (2) introduciendo la parte más curva primero.
- 4- Colocar la tapa móvil del pico de alimentación (3).
- 5- Retirar el cierra-fondo (5).

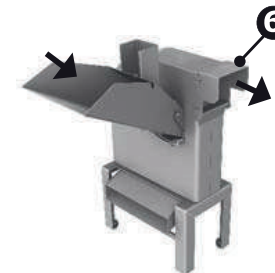


El producto es colocado en el pico de alimentación o tolva y sale por el pico inferior.

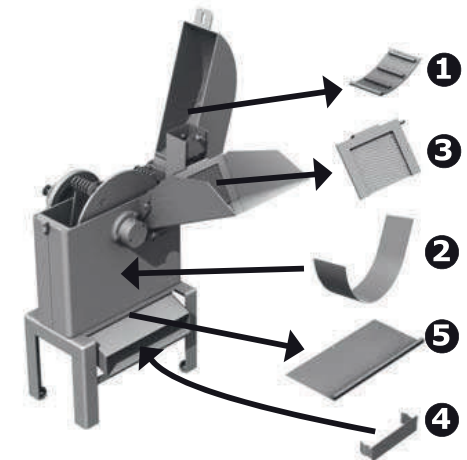


PARA CORTAR PRODUCTOS VERDES

- 1- Colocar la cinta lisa - fondo de corte - (2).
- 2- Retirar la contratapa (1).
- 3- Retirar la tapa móvil del pico de alimentación (3).
- 4- Retirar el cierra-fondo (5).
- 5- Colocar el aislador de aspiración (4) - si la máquina está equipada con centrífuga.
- 6- Abrir el rompe chorro (6).



El producto es colocado en el pico de alimentación y sale por la boca superior.



Operación

Antes de poner la máquina en funcionamiento, se debe verificar:

- Si no hay herramientas, pertrechos u objetos sobre el motor, o sobre la máquina, principalmente dentro del pico de alimentación.
- Si no hay personas u objetos cerca de las poleas y correas.
- Si el sentido de rotación está correcto.
- Si la tapa de la máquina está trabada.
- Si la máquina está debidamente lubricada.
- Si la contracuchilla está debidamente regulada en relación a las cuchillas.
- Si esto no ocurre, verificar el ítem regulado de la contracuchilla.
- Si la máquina está debidamente preparada para el producto que será procesado.

PARA MOLER PRODUCTOS SECOS CON CENTRÍFUGA

- 1- Colocar la contratapa (1).
- 2- Colocar el filtro conforme el producto que se desea obtener (2) introduciendo la parte más curva primero.
- 3- Colocar la tapa móvil del pico de alimentación (3).
- 4- Retirar el aislador de aspiración (4).
- 5- Colocar el cierra fondo (5).



El producto es colocado en el pico de alimentación o tolva y sale por la centrífuga.



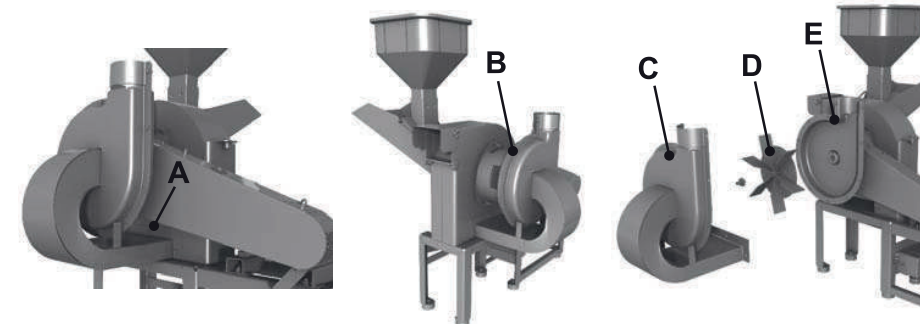
Assembly on the stand extension

The option for installation of the JF 15D on the stand extension, makes it possible to place the motor on the respective stand, and then there is no need to use a base.

BASIC INSTALLATION SEQUENCE

The stand extension version is shipped from the factory preassembled. It is just necessary to install the motor and the belt. The following describes the correct assembly sequence:

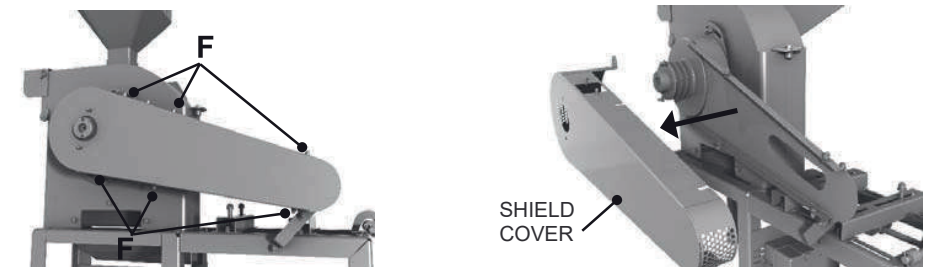
- 1- If your JF 15D model is equipped with a cyclone, first it is necessary to remove the ventilator box, as shown in the following figures. If the machine is not equipped with a cyclone, skip this step and go below to the step 2.



Remove the 3 screws (A) fastening the box to the machine. remove the 11 screws (B) fastening the two halves of the ventilator box.

Remove the box (C), the ventilator (D) and the cover from the box (E).

- 2- Open the shielding and install the motor and the belts, as the following instructions show:



Remove the screws (F) fastening the shield cover over the belts.

Remove the shield cover.

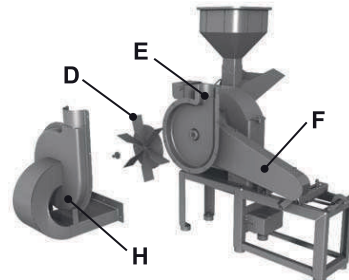
Fasten the motor on the stand rails, then install the pulley and the belts.



Stretch the belts using the existing stretcher on the stand. Use the nuts on the stretcher for adjustment (G).

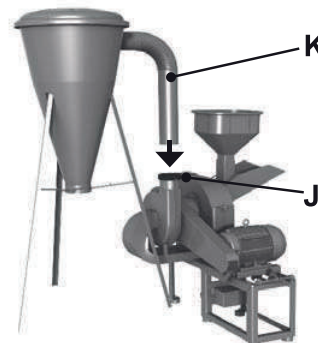


Place the shield cover (F), the cover (E) and the ventilator (D). Install the ventilator box again (H).



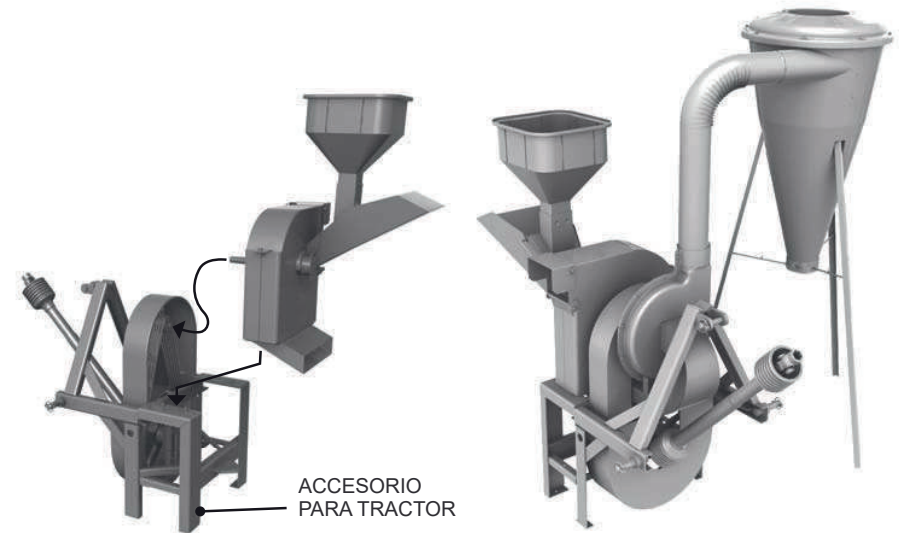
3- Assemble the cyclone on the machine (if the model is not equipped with the cyclone, ignore the following instruction):

Place the rubber ring (J) in the outlet from the ventilator box and insert the curved tube in the cyclone (K).



Montaje con accesorio para tractor

JF Máquinas fabrica también un accesorio especial para instalación de la máquina a ser accionada por tractor.



SECUENCIA BÁSICA PARA LA INSTALACIÓN

1- Conjunto completo:

Si el pedido fue hecho para el conjunto completo, la máquina saldrá lista de fábrica. En este caso, la instalación se resume solo al acoplamiento del conjunto al tractor, por intermedio de los tres puntos de acople del sistema hidráulico del mismo, seguida por la colocación del respectivo eje cardán.

2- Pedidos aislados:

Si los pedidos de la accesorio y de la máquina fueron hechos separadamente, el montaje del conjunto deberá ser hecho de la siguiente forma:

- a - Colocar la máquina sobre el accesorio.
- b - Colocar la polea en la máquina.
- c - Alinear la polea de la máquina con la polea del accesorio, la cual ya está montada en el mismo.
- d - Fijar la máquina sobre el accesorio.
- e - Colocar las correas y el blindado de protección.
- f - Tensionar correctamente las correas, a través del dispositivo estirador.
- g - Acoplar el conjunto al tractor, a través de los tres puntos del sistema hidráulico.
- h - Colocar el respectivo eje cardán.

Montaje con motores a diesel o gasolina



La máquina y el motor son instalados sobre una única base.
La base JF Máquinas posee soportes especiales de goma, que eliminan la necesidad del asentamiento.

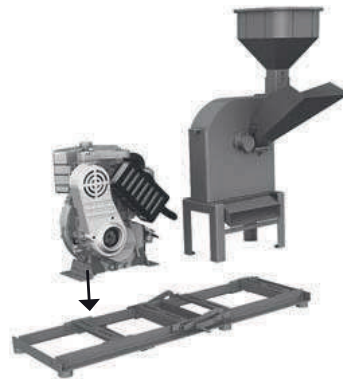
BASE DE FIJACIÓN

1- Esta base fue proyectada para motores a diesel o a gasolina pero también podrá ser usada para motores eléctricos.

SECUENCIA BÁSICA PARA INSTALACIÓN

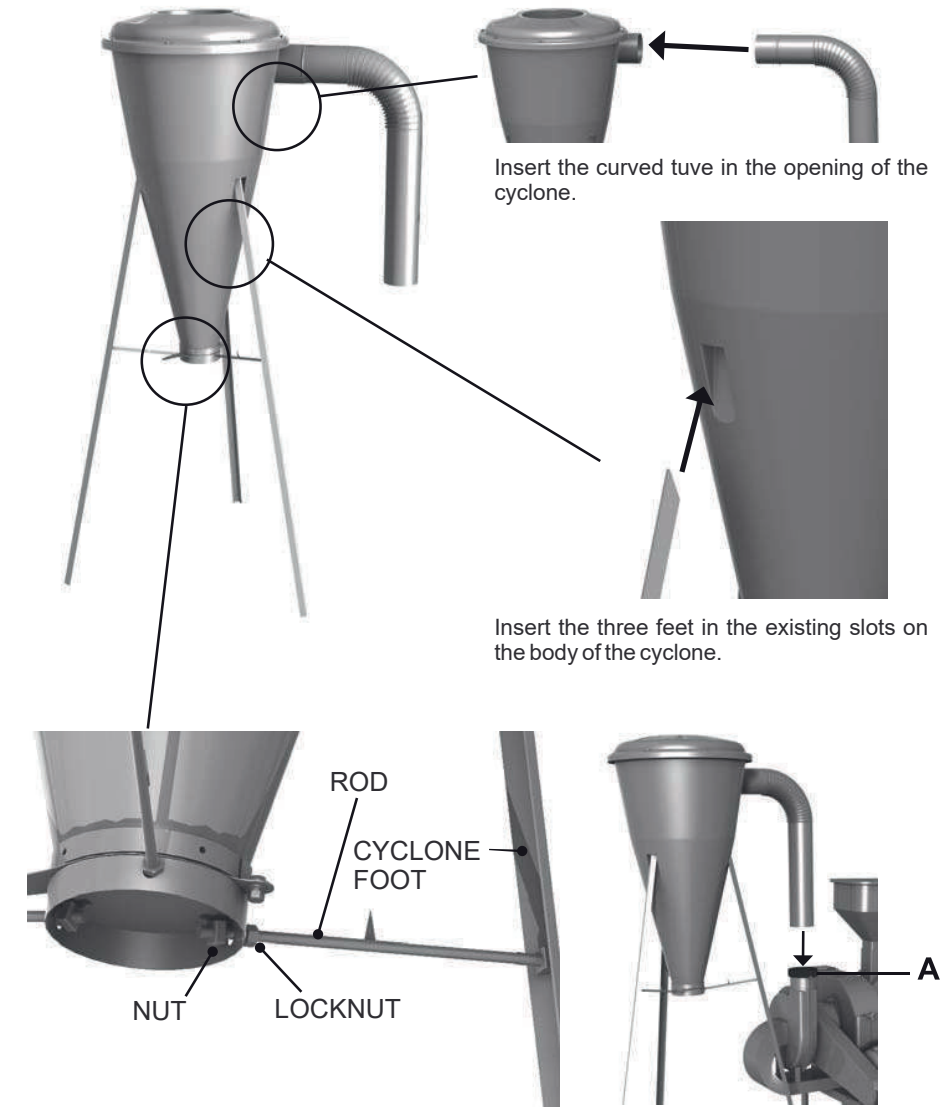
1- Instalación de la máquina y del motor sobre la base.
La base posee los puntos para la colocación de la máquina de acuerdo con el soporte de la misma, que corresponde a la parte fija de la misma.
De la misma forma, el motor es colocado en la parte móvil de la base.

Después de colocados la máquina y el motor sobre la base, se debe proceder al alineamiento de las poleas.
Luego, fijar los pies de apoyo de la máquina y del motor.
Colocar luego las correas y estirarlas adecuadamente, por intermedio de la palanca de la base.



Cyclone assembly

The cyclone is optional equipment, supplied when ordered. When it is purchased disassembled and packaged. Follow these instructions for assembly:



Insert the curved tube in the opening of the cyclone.

Insert the three feet in the existing slots on the body of the cyclone.

Screw the end of the threaded rod to the cyclone foot. Pass the other end through the existing hole in the opening and put on the nut. See the position of the nut and the locknut in the above figure.

Do not forget to insert the rubber ring before installing the curved tube in the machine (A).

Assembly driven by diesel or gasoline motors



The machine and the motor are installed on a one-piece base. JF Máquinas stand is equipped with special rubber feet which do away for the need of any other base.

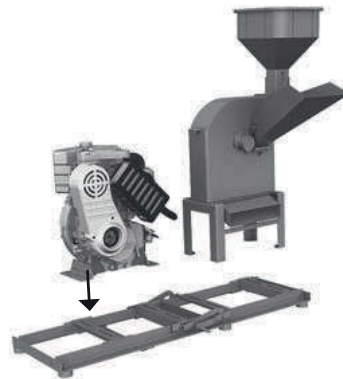
FASTENING BASE

1- This base has been designed for diesel or gasoline motors but it also can be used for electric motors.

BASIC INSTALLATION SEQUENCE

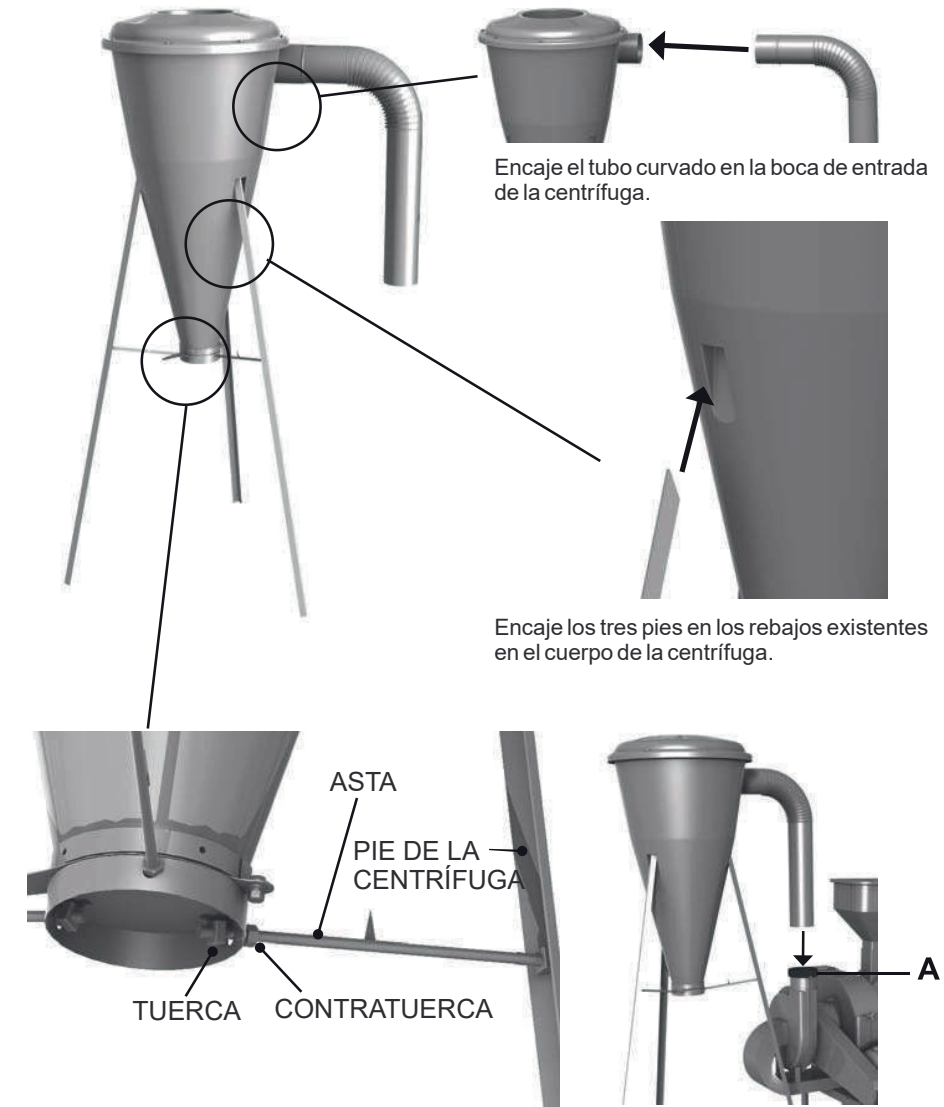
1- Install the machine and the motor on the base. The base is already prepared with specific places for placing the machine and supporting it, as well as moveable rails for fastening the motor. Likewise, the motor is placed on the moveable base.

Once the machine and the motor are placed on the base, then it is necessary to proceed in aligning the pulleys. Following that, install the base feet for the machine and the motor. Then place the belts and stretch them adequately, using the lever on the base.



Montaje de la centrífuga

La centrífuga es equipamiento opcional, suministrado mediante pedido. Cuando adquirido, viene desmontado y embalado. Para su montaje, observe las instrucciones a continuación:



Encaje el tubo curvado en la boca de entrada de la centrífuga.

Encaje los tres pies en los rebajos existentes en el cuerpo de la centrífuga.

Enrosque una punta del asta en el pie de la centrífuga. Pase la otra punta por el orificio existente en la boca y coloque tuerca. Observe en la figura arriba la posición de la tuerca y de la contratuerca.

Al acoplar la centrífuga en la máquina, recuerde colocar el anillo de goma (A).

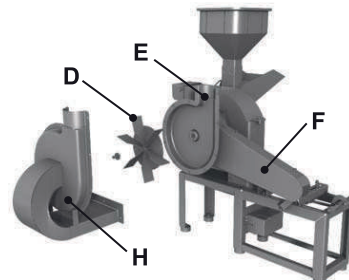
Prenda el motor en las guías del caballete, a continuación, coloque la polea y las correas.



Estire las correas utilizando el tensor existente en el caballete. Para regular el tensor, gire las tuercas (G).

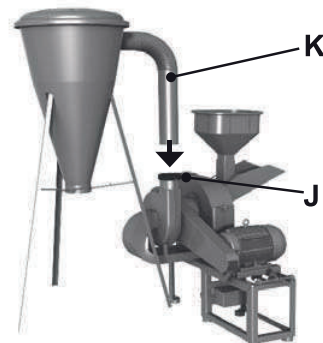


Coloque la capa del blindado (F), la tapa (E) y el ventilador (D). Coloque la caja del ventilador (H).



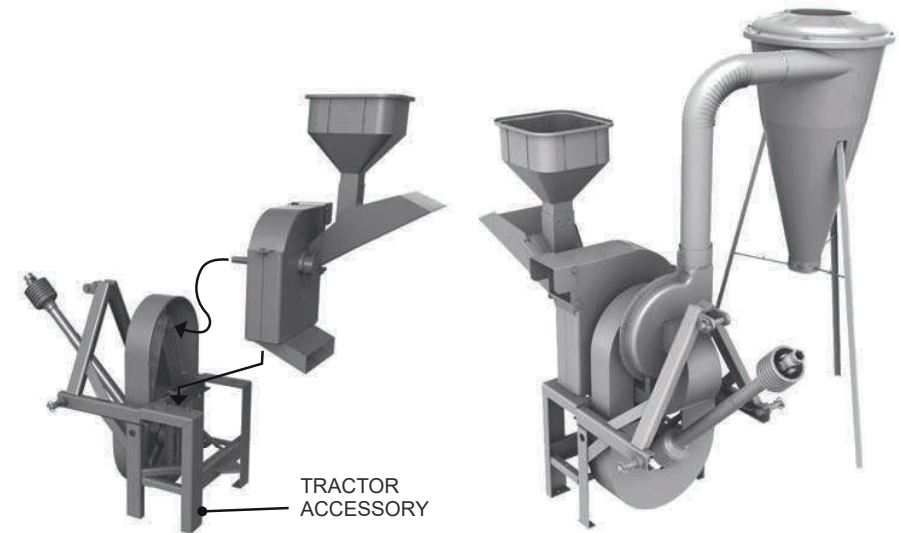
3- Monte la centrifuga en la máquina (si el modelo utilizado no está equipado con centrifuga, desconsidere la instrucción abajo):

Colocar el anillo de goma (J) en la salida de la caja del ventilador y encajar el tubo curvado en la centrifuga (K).



Assembly as a tractor accessory

JF Máquinas factory also supplies a special accessory for installing as a tractor accessory.



BASIC INSTALLATION SEQUENCE

1- Complete set:

If the order is for the complete set, the machine will be shipped completely assembled from the factory. In this case, the installation only includes the coupling to the tractor to the accessory, using the three-point linkage from the hydraulic system, following that the respective installation of the driveshaft (power take-off).

2- Separate orders:

If the accessory orders and the machine were ordered separately, the assembly of the set components will be as follows:

- a- Place the machine on the accessory.
- b- Install the pulley on the machine.
- c- Align the pulley on the machine to the accessory pulley, which is assembled on it.
- d- Fasten the machine on the accessory.
- e- Install the belts and the safety shield.
- f- Stretch the belts correctly using the stretcher device.
- g- Couple the assembly to the tractor, using the three-point linkage from the hydraulic system.
- h- Finally the respective installation of the driveshaft (power take-off).

Operation

Before operating the machine, check the following:

See if there are no tools, equipment or objects on the motor, or on the machine, especially inside the intake chute.

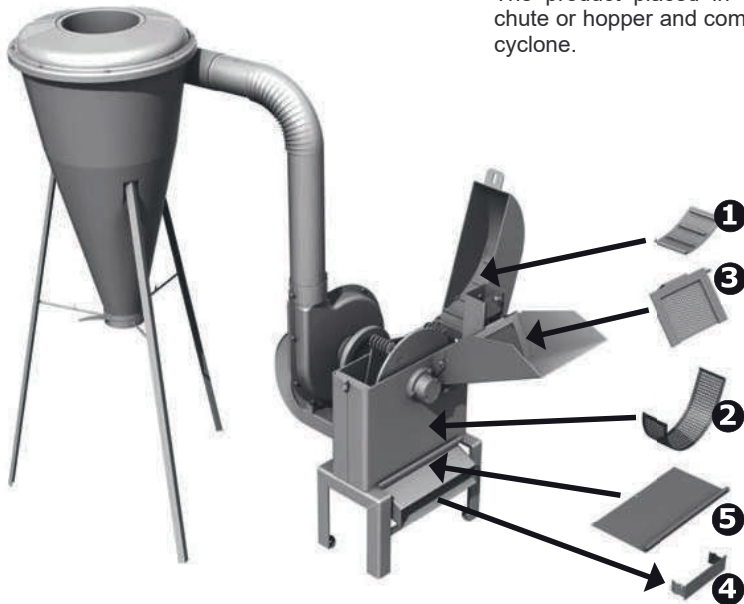
- See if there any people or objects near the pulleys or belts.
- See if the rotation direction is correct.
- See if the machine cover is latched.
- See if the machine is properly lubricated.
- See if the counter-blade is properly adjusted to the blades.
- If it is not see the item on adjusting the counter blade on this manual.
- See if the machine is prepared for the product which will be processed.

GRINDING DRY PRODUCTS WITH THE CYCLONES

- 1- Place the box inner cover (1).
- 2- Place the type of sieve based on the desired finished product (2). Insert the more curved part first.
- 3- Place the moveable cover of the intake chute (3).
- 4- Remove the vacuum isolator (4).
- 5- Place the back closure (5).



The product placed in the intake chute or hopper and comes out the cyclone.



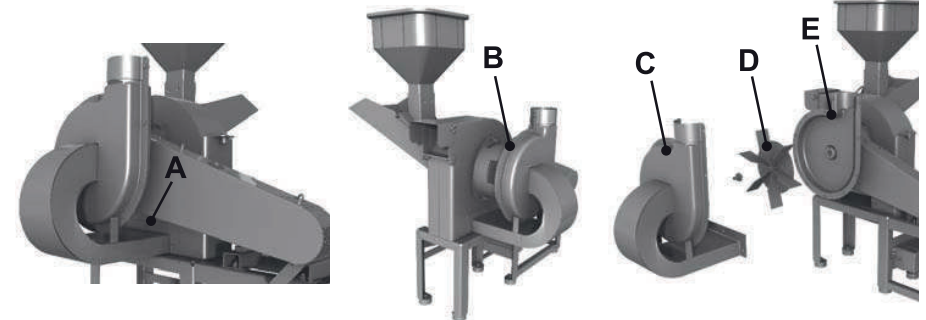
Montaje con caballete prolongado

La opción de JF 15D con caballete prolongado posibilita la colocación del motor en el propio caballete, sin la necesidad de utilización de una base.

SECUENCIA BÁSICA PARA LA INSTALACIÓN

La versión con caballete prolongado sale de fábrica premontada, faltando solo la colocación del motor y de las correas. A continuación, describimos la secuencia de montaje correcta:

- 1- Si el modelo de su JF 15D posee centrífuga, primero se debe remover la caja del ventilador, conforme muestran las figuras abajo. Si la máquina no posee centrífuga, salte esta etapa y continúe con el paso 2 a continuación.



Remueva los 3 tornillos (A) que prenden la caja en la máquina. Remueva los 11 tornillos (B) que prenden la dos mitades de la caja del ventilador.

Retire la caja (C), el ventilador (D) y la tapa de la caja (E).

- 2- Abra el blindado y coloque el motor y las correas, conforme instrucciones abajo:



Remueva los tornillos (F) que prenden la capa del blindado de las correas.

Remueva la capa del blindado.

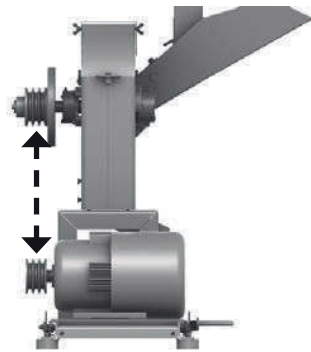
INSTALACIÓN DE LA MÁQUINA Y DEL MOTOR SOBRE LA BASE:

La base posee los puntos para la colocación de la máquina ya dimensionados de acuerdo con el soporte de la misma, así como las guías móviles para la fijación del motor. Una vez colocados la máquina y el motor sobre la base, se debe proceder al alineamiento de las poleas. A continuación, fijar los pies de apoyo de la máquina y del motor. Colocar luego las correas y estirarlas adecuadamente, por intermedio de la palanca de la base.

La máquina debe trabajar en la rotación correcta. Para ello, recomendamos el uso de poleas y correas de acuerdo con las tablas en este manual.



Colocar la máquina y el motor sobre la base.



Alinear las poleas y fijar los pies del motor y de la máquina en las guías de la base



Colocar las correas



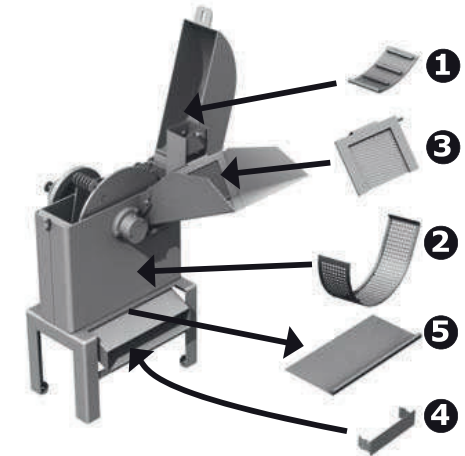
Estirar las correas

GRINDING DRY PRODUCTS WITHOUT USING THE CYCLONE

- 1- Place the vacuum isolator (4) - if the machine is equipped with the cyclone.
- 2- Place the box inner cover (1).
- 3- Place the sieve based on the type of final product (2) insert the most curved part first.
- 4- Place the moveable cover on the intake chute (3).
- 5- Remove the back closure (5).

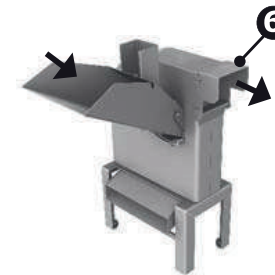


The product is placed in the intake chute or hopper and comes out from the lower chute.

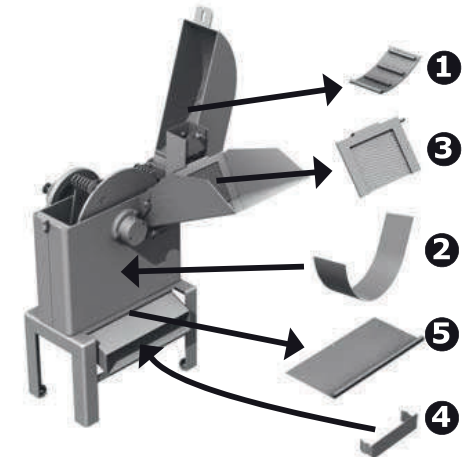


CUTTING FRESH PRODUCTS

- 1- Place the smooth belt - cutting closure (2).
- 2- Remove the inner cover (1).
- 3- Remove the moveable cover of the intake chute (3).
- 4- Remove the back closure (5).
- 5- Place the vacuum isolator (4) - if the machine is equipped with the cyclone.
- 6- Open the blast stopper (6).

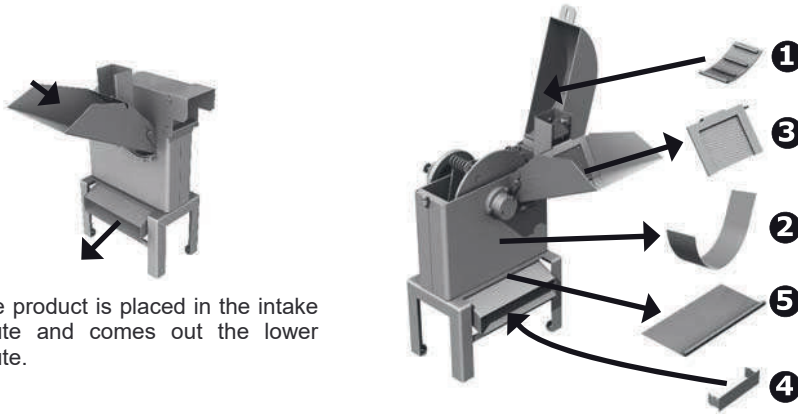


The product is placed in the intake chute and comes out the upper outlet.



CUTTING ROOTS AND TUBERS

- 1- Remove the smooth belt/ sieve (2).
- 2- Place the inner cover (1).
- 3- Remove the moveable cover of the intake chute (3).
- 4- Remove the back closure (4).
- 5- Place the vacuum isolator (4) - if the machine is equipped with a cyclone.



The product is placed in the intake chute and comes out the lower chute.

Maintenance

Your JF 15D requires a minimum of maintenance in order to guarantee the maximum yield and durability. Then, some essential routine procedures are indispensable:

- Keep the blades well-sharpened.
- Keep the counter-blade adjusted to the position of the blades.
- Lubricate the bearing periodically.
- Keep the belts stretched and replace them when they are worn or dried and cracked.
- Replace the set of blades or hammers, when they are damaged or worn.
- Never operate the machine when hammers or blades are missing.



Important!

Using after-market parts or accessories can cause accidents, damage to equipment, and decrease the performance of its operation, as well as cancelling the factory guarantee.

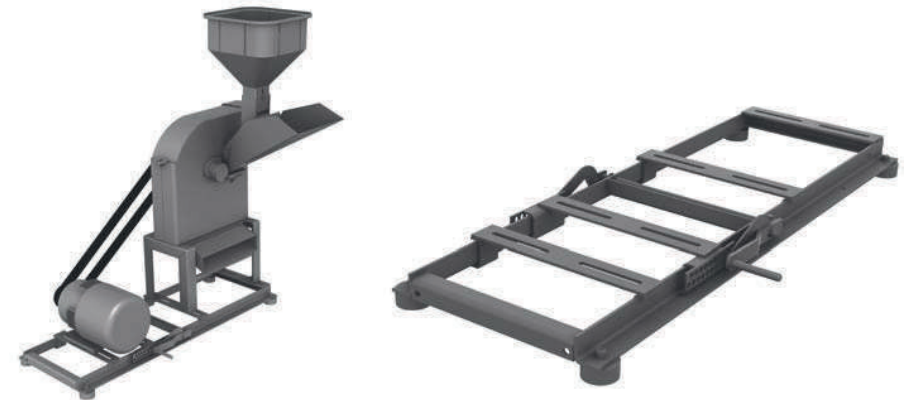


Caution!

Turn off the machine before performing any type of adjustments, lubrication, or any maintenance job. When replacing screws and nut, always use the same factory specifications as the original parts. Put all the shields back in place before turning on the machine.

Montaje con motores eléctricos

Para ser acoplado con motores eléctricos, el JF 15D necesita algunos accesorios que son constituidos por bases, poleas y correas.



La máquina y el motor son instalados sobre una única base. La base JF Máquinas posee soportes especiales de goma, que eliminan la necesidad del asentamiento.

1- Instalación eléctrica de alimentación:

Deberá ser hecha de acuerdo con las especificaciones técnicas teniéndose en cuenta factores tales como: distancia, dimensionamiento correcto de los cables, así como llaves y dispositivos de seguridad.

2- Instalación eléctrica del motor:

Deberá obedecer a los requisitos técnicos de acuerdo con las especificaciones del motor. Para motores de más de 5 hp de potencia, se recomienda el uso de la llave estrella-triángulo para arranque del accionamiento.

MONTAJE DE LA BASE PARA MOTOR



Aplicación

El molino JF Máquinas puede ser usado tanto para productos secos como para productos verdes.

Así, tanto corta productos verdes como caña, pasturas, ramas, raíces, tubérculos y forrajes, utilizados en la alimentación diaria de los animales, como también tritura productos secos, como maíz en grano, maíz con paja y sabugo, paja de arroz, caña de maíz, cereales secos, cáscaras y pajas de cereales y otros, utilizados en la preparación de pienso y alimentos.

“El uso en esta máquina de productos como soja y arroz, desgasta prematuramente los componentes internos, en función de ser abrasivos. Por tal motivo si el uso de tales productos fueren constatados, la responsabilidad será exclusiva del usuario”.

Accionamiento

El JF 15D podrá ser accionado por motores (eléctrico, diesel o gasolina) y por tractores. Los accesorios para estos acoplamientos son constituidos por bases, poleas y correas y son suministrados a pedido del cliente.

Funcionamiento

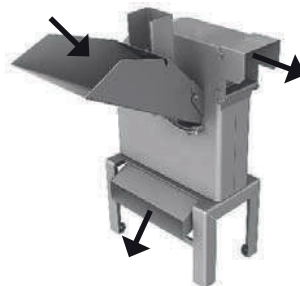
PRODUCTOS SECOS:

El producto es colocado en el pico de alimentación o en la tolva. Si se trata de granos, es encaminado hacia las cuchillas que se encargan de quebrarlo y arrojarlo dentro de la máquina, donde es golpeado por los martillos y entonces, arrojado contra el filtro. El producto resultante depende del filtro utilizado. Este producto podrá salir por medio de una centrifuga o simplemente por la salida inferior.



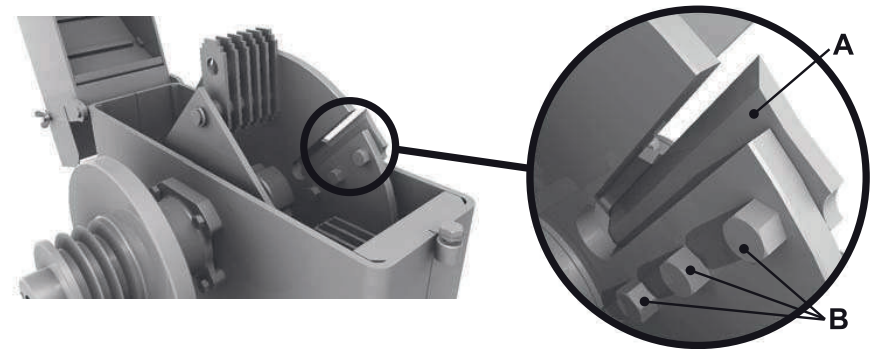
PRODUCTOS VERDES:

El producto es colocado en el pico de alimentación y conducido hacia las cuchillas, las cuales se encargan de cortarlo. El producto podrá ser lanzado tanto por la salida inferior como por la salida superior.



Removing the blades

To remove the blades (A), just remove the screws (B), together with their respective washers.



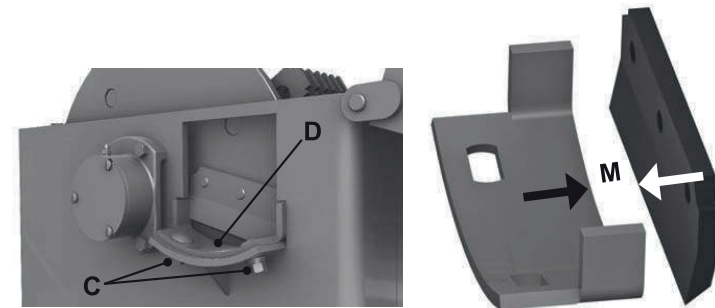
Sharpening the blades

- 1- The blades must always be sharpened when their cutting edge is dull.
- 2- Only one side of the cutting edge must be sharpened and the same as the original cutting edge.
- 3- Try to remove the same amount of material as to not affect the balancing of the blade.
- 4- The blades must be replaced whenever it is impossible to sharpen them as necessary.

Adjusting the counter-blade

Proceed as follows to adjust the counter-blade:

- 1- Loosen the nuts on the two screws (C):
- 2- Move the counter-blade (D) until the blade and the counter-blade are at the specified distance shown below in the figure (measurement M) about 0,5 mm.
- 3- Retighten the nuts (C).



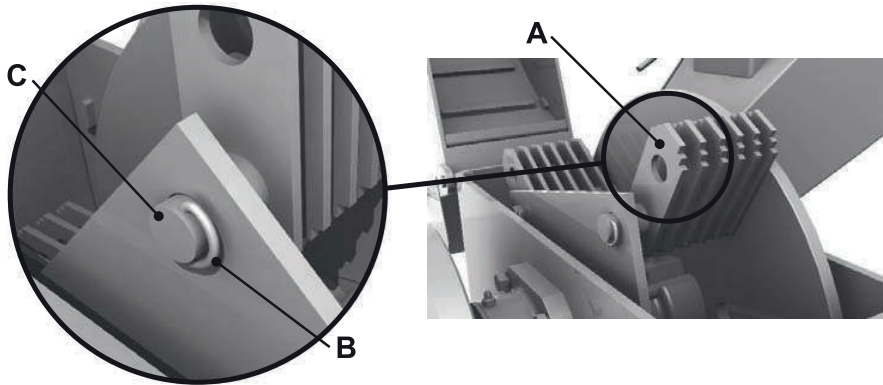
Note:
The counter-blade must be replaced when worn and retighten it periodically.

Changing the hammers

There are 4 toothed surfaces on the hammers (A) which can be repositioned as each one becomes worn.

Proceed as follows to change the hammer surface or to replace the entire hammer:

- 1- Cut the locks (B) on the hammer pins.
- 2- Remove the hammer pins (C), make sure the position of the rings is correct in the spacer rings, and be careful not to mix the sets of hammers, as this will interfere with the balancing of the machine, causing vibrations.



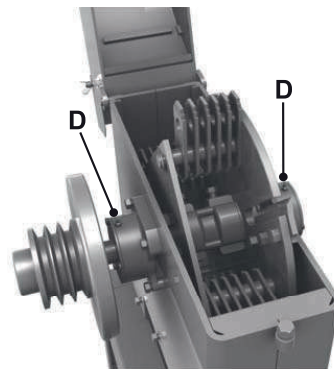
Lubrication

- 1- The only places where lubrication is necessary are the bearing housings (D).
- 2- Lubrication must be weekly.

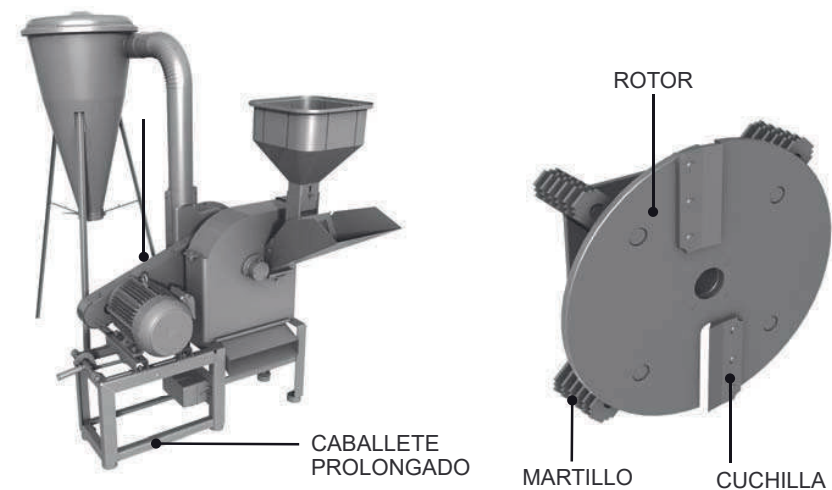
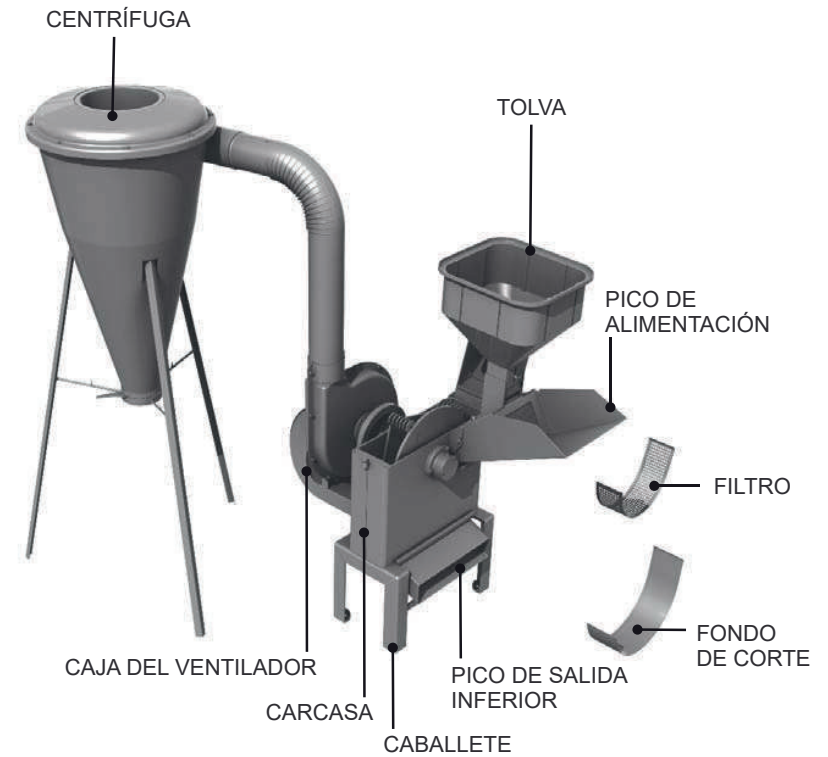
Lubricate the bearing housings with a grease gun (D), using special grease for bearings, lithium soap base, NLGI 2 EP classification. An example of this type of grease is: LUBRAXLITH-2.

Before lubricating, clean the grease fittings well, in order to avoid contamination from the grease. Replace damaged grease fittings.

The most efficient time to lubricate is at the end of the working period, as the grease will flow better while the machine is still hot.

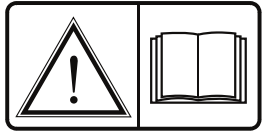


Conociendo el molino



* motor suministrado mediante pedido.

Adhesivos de seguridad



Lea el manual de instrucciones antes de encender la máquina. Manteniéndose atento y respetando todas las recomendaciones de uso y seguridad, usted evitará que accidentes inesperados puedan ocurrir durante la utilización de la máquina.



Apague la fuente de accionamiento (motor o tractor) antes de realizar servicios de mantenimiento, regulado, lubricación, limpieza etc., en la máquina. De esta forma, usted impedirá el accionamiento accidental y evitará situaciones de peligro, con riesgo de accidentes graves.



Nunca introduzca las manos en la máquina encendida. Componentes girando en alta velocidad pueden causar heridas graves. Mantenga las manos alejadas de las piezas en movimiento.



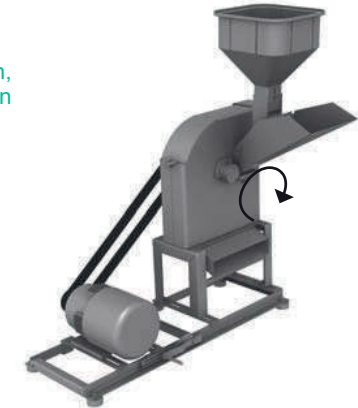
Al operar la máquina, use equipo de protección individual (EPI). La exposición prolongada al ruido, sin protección, puede provocar pérdida auditiva.

Technical characteristics

REQUIRED POWER (HP)			NUMBER OF BLADES AND HAMMERS		ROTATION
Electric Motor	Gasoline Motor	Diesel Motor	Number of hammers	Number of blades	RPM
10.0 a 12.5	12.5 a 15.0	10.0 a 13.0	24	2	3300



Note:
The rotation is in the clockwise direction, when looking from the intake chute direction (above fig).



Production (kg/hour)

	DRY PRODUCTS					FRESH PRODUCTS
	Corn with straw and cob			Threshed corn		Roots and tubers, grasses and sugarcane
Sieve	10 mm	5 mm	5 mm	3 mm	0.8 mm	Smooth belts
	700/800	350/500	850/1150	700/900	150/200	3000/4000



Note:
The above productions are only reference values, obtained from test conditions, but these values may vary based on the humidity of the product, specific weight and operating conditions.

Drive pulley (actuated by electric motor)

JF 15D	HIGH ROTATION (3500 RPM)		LOW ROTATION (1750 RPM)	
	Ø Motor Pulley (mm)	Number of channels	Ø Motor Pulley (mm)	Number of channels
	115	3B	215	3B

Drive pulley (actuated by motors)

MOTORS		TRACTORS	
Ø Pulley VB (mm)	Number of channels B (with handwheel)	Ø Pulley VA (mm)	Number of Channels (no handwheel)
120	4	85	6

Belts (actuated by electric motor)

	HIGH ROTATION (3500 RPM)		LOW ROTATION (1750 RPM)	
	Belt	Quantity	Belt	Quantity
Base	B-81	3	B-85	3
with stand extension*	B-58	3	B-58	3

Poleas y correas (accionamiento con tractor)

	Pulley Ø (mm)		Belts	
	Machine	Accessory	Type	Quantity
JF 15D	85	480	A-80	6

Belts (actuation by diesel/ gasoline motor)

	TYPE	Amount
JF 15D	B-81	3

- Nunca trabaje debajo de una máquina soportada solo por un cricket, utilice siempre un apoyo seguro.

- Si observa cualquier anomalía en el funcionamiento: vibraciones, ruidos diferentes etc., apague la máquina inmediatamente. Verifique y elimine la causa, antes de encenderla nuevamente.

- Componentes móviles, debido a la inercia, continúan en movimiento por algún tiempo después que la máquina es apagada. Antes de tocar cualquier componente, apague la fuente de accionamiento, mire y escuche si no existen evidencias de movimiento. Solamente toque un componente si está seguro de que está parado. Esté siempre atento!

- Antes de iniciar la instalación eléctrica del motor, certifíquese de que la energía eléctrica local está apagada.

- La instalación de motores eléctricos debe ser hecha por un electricista habilitado. El dimensionamiento de los cables y la utilización de dispositivos de arranque y parada deben estar en conformidad con las normas de seguridad vigentes.

- Debe haber en torno de la máquina área de circulación y espacio permanentemente desobstruidos y que permitan el movimiento seguro del operador y del producto que será procesado.

- Se recomienda instalar la máquina en un lugar plano, limpio, libre de aceite, grasa, astillas, protegido del sol y de la lluvia. El contacto con el agua aumenta el riesgo de descarga eléctrica.

- Nunca haga funcionar la máquina dentro de ambientes cerrados y sin ventilación, los gases liberados por el motor (diesel o gasolina) son tóxicos y altamente nocivos a la salud.

- Esté preparado si ocurre un accidente. Mantenga un kit de primeros auxilios en un lugar de fácil acceso. Sepa cómo utilizarlo.

- La utilización de este equipamiento en aplicaciones no mencionadas en este manual, este tenida como trabajo no admisible y no está autorizada por este fabricante. Adaptaciones o uso de piezas no originales comprometen el funcionamiento, ponen en riesgo la seguridad del operador y causan la pérdida de la garantía ofrecida.

- Observe las recomendaciones de seguridad y manténgase atento. La falta de atención durante la operación podrá resultar en accidentes.

- Apague el motor antes de regular, lubricar o realizar cualquier servicio de mantenimiento en la máquina. Nunca intente efectuar reparaciones con la máquina encendida. Esté siempre atento!

- Antes de encender la máquina, verifique si no hay herramientas u otros objetos sobre la misma.

- Observe los alrededores de la máquina antes de ponerla en funcionamiento. Mantenga animales y espectadores a una distancia segura, alejados del área de alimentación. Tenga especial cuidado con los niños.

- Use equipo de protección individual - EPI - al operar la máquina. La exposición prolongada al ruido puede causar daño o pérdida de la audición. Use protectores auriculares y gafas de seguridad.

- Vístase apropiadamente para operar la máquina. Prenda cabellos largos y no use ropas demasiado largas. Retire anillos, cadenas y demás elementos que puedan prenderse en las piezas o mecanismos en movimiento.

- Nunca intente abrir la máquina en funcionamiento.

- Nunca toque las poleas o correas con la máquina encendida. Mantenga las manos distantes de los componentes en movimiento.

- Mantenga los adhesivos de seguridad conservados y legibles. Sustitúyalos siempre que necesario.

- Mantenga todos los blindados y protecciones en sus debidos lugares y no haga funcionar la máquina sin las mismas.

- Está prohibida la permanencia de personas sobre cualquier parte de la máquina en funcionamiento.

- Siempre que fuere necesario subir a la máquina para realizar cualquier regulado o reparación, apague el motor y aguarde hasta que los componentes estén completamente sin movimiento.

- Nunca intente limpiar o remover restos de productos, paja etc., con la máquina encendida. Apague el motor y aguarde que cesen los movimientos antes de limpiar cualquier parte de la máquina.

- Nunca deje la máquina funcionando al ausentarse. Siempre apague el motor antes de alejarse del lugar de trabajo.

- Mantenga el área alrededor de la máquina libre y desobstruida para permitir el movimiento seguro del operador y del producto que será procesado.

- Baje totalmente la máquina antes de realizar mantenimiento, lubricación o ajustes. Si fuere necesario trabajar en la máquina suspendida por el hidráulico, se debe apoyarla de forma segura. Los mecanismos hidráulicos pueden arriarse por sí mismos o debido a pérdidas y resultar en accidentes.

- No apoye la máquina sobre bloques de cemento, ladrillos huecos u otros soportes que puedan desmoronarse bajo el efecto de cargas prolongadas.

Weights and dimensions

Weight (with stand) (Kg)	122
Space occupied by the machine (m)	0,95 x 0,70
Space occupied by the machine w.o. cyclone - w. base (m)	0,95 x 1,40
Space occupied by the cyclone and the base (m)	1,40 x 2,10
Machine height (w. stand) (m)	1,25
Cyclone height (m)	1,90

Practical guide

Machine is jammed	Due excessive intake, the motor cannot maintain the required rotation and the product accumulates inside the machine	Stop the motor, clean the excess product, start operating again but now control the intake to the machine, so that it does not exceed the recommended capacity
Low production	1- Not enough intake to the machine	1- The intake must be continual, but not excessive, which can cause jamming
	2- Machine rotation is below recommended	2- If the rotation of the machine is below the recommended, the hammers will take too long to shred the production will drop. Therefore, it is necessary to maintain the recommended rotation of the machine
	3- The product is damp	3- If the products are very damp, the holes in the sieve can become blocked. Therefore, shredding must be done only on dry products
	4- The machine adjustment is incompatible with the product being processed	4- It is necessary to check if the sieve being used is compatible with the desired final product
Uneven product cutting	1- The blade cutting edge is not sharp	1- Sharpen the blades again as recommended in the item on "Sharpening blades"
	2- The counter-blade is worn or not well adjusted	2- Proceed as recommended in the item on Counter-blade adjustment
It is difficult to grind dry products	1- The hammers are worn or damaged	1- Change the sides of the hammers or change or new ones, proceed as recommended in the item on Changing Hammers
	2- Hammers are stuck	2- Wash the chutes, blades and hammers, using water after chopping fresh products, especially when not used for extended periods of time
It is difficult to start the actuation	Excessive product inside the machine	Operate the machine until all the product comes out

Medio ambiente

JF Máquinas tiene una preocupación constante por la preservación del medio ambiente, tanto en el desarrollo como en la utilización de procesos y materiales ecológicamente apropiados en la producción de sus productos.

PROTEJA Y RESPETE EL MEDIO AMBIENTE, recordando que su preservación es responsabilidad social de todos. De a productos lubricantes y fluidos usados, neumáticos viejos, embalajes etc., el destino previsto en la ley. Nunca arroje restos de productos o embalajes vacíos en manantiales, lagos, ríos, pozos etc. Transmita estos consejos a los demás, concientice a otras personas sobre la importancia de la preservación del medio ambiente.

Seguridad

Nosotros, de JF Máquinas, nos preocupamos por la seguridad de las personas involucradas en la operación y el mantenimiento del molino. En el desarrollo del proyecto, pensamos en cada detalle para evitar que accidentes inesperados ocurran durante su utilización. Desarrollamos protecciones de seguridad y eliminamos situaciones de riesgo. Recordamos que la preservación de la salud y de la integridad física de las personas debe venir siempre en primer lugar.

Preparamos este manual para que usted conozca su JF 15D y, así, pueda utilizarlo de la manera más correcta y segura.

Recomendamos que lo lea atentamente antes de utilizar la máquina por primera vez. Si ocurre cualquier duda, por favor, entre en contacto con nosotros a través de su revendedor JF Máquinas o de nuestro departamento de asistencia técnica.



Avisos de seguridad

Los avisos de seguridad alertan sobre situaciones que pueden ofrecer algún tipo de riesgo. Están acompañados por instrucciones destinadas a resguardar la seguridad del operador y demás usuarios.

AVISO DE PELIGRO!

Alerta sobre situaciones de riesgo, que pueden resultar en accidente grave, con riesgo de vida, si las instrucciones no fueren rigurosamente seguidas.

AVISO DE CUIDADO!

Alerta sobre situaciones de riesgo y orienta con las precauciones necesarias para evitar que accidentes puedan ocurrir.

PRECAUCIONES DE SEGURIDAD

- Lea el manual de instrucciones antes de encender la máquina. Manténgase atento y respete todas las recomendaciones de uso y seguridad durante la operación. TRANSMITA LAS INFORMACIONES A LOS DEMÁS USUARIOS.

- No opere la máquina si ha ingerido bebidas alcohólicas o medicamentos que alteren su estado normal. Manténgase atento a lo que está haciendo y procure actuar con sentido común. Un momento de desatención mientras opera una máquina puede resultar en un grave accidente.

Sumário

Introdução	03
Medio ambiente	05
Seguridad	05
Adhesivos de seguridad	08
Conociendo el molino	09
Aplicación	10
Accionamiento	10
Funcionamiento	10
Montaje con motores eléctricos	11
Montaje con caballete prolongado	13
Montaje de la centrifuga	15
Montaje con motores a diesel o gasolina	16
Montaje con accesorio para tractor	17
Operación	18
Mantenimiento	20
Remoción de las cuchillas	21
Afilado de las cuchillas	21
Regulado de la contracuchilla	21
Cambio de los martillos	22
Lubricación	22
Características técnicas	23
Producción (kg/hora)	23
Pesos y dimensiones	25
Guía práctico	26
Término de garantía	27
Comprobante de entrega técnica	29



WARRANTY CERTIFICATE

JF Máquinas Agrícolas guarantees the machine featured here, against defects in workmanship, duly certified by the factory under the following conditions:

- 1- The warranty is valid for the first twelve (12) months, counted from the date of issue of the sales invoice to the first owner / consumer, being:
03 (three) first months - legal warranty;
09 (nine) last months - additional warranty granted by JF Máquinas Agrícolas.
- 2- This warranty is based on JF's commitment to repair or provide free of charge in its factory any parts that in their sole discretion have manufacturing defects. The warranty covers only defects in material and / or workmanship, and labor, freight and other expenses are not covered by this certificate;
- 3- JF is not warranted for damaged parts for improper use, wear and tear resulting from normal use, use in contravention of the instruction manual or caused by agents of nature or accidents;
- 4- The present warranty will be invalidated in the following cases:
 - 4.1- Improper application of the machine, in disagreement with the Instruction Manual;
 - 4.2- Use of lubricants not recommended in the Instruction Manual;
 - 4.3- Modifications, adaptations and / or repairs carried out by persons not authorized by the manufacturer;
 - 4.4- Use of non-original parts or components;
 - 4.5- Use of tractor with power greater than the maximum recommended in the Instruction Manual;
 - 4.6- Presentation of purchase invoices shaved or adulterated.
- 5- Complaints about any defects during the warranty period should be submitted to the local dealer, who will forward them to the factory together with the defective part, which will be replaced if the defect is recognized. In the event of the displacement of any Technician or Mechanic to attend the property, this will be the responsibility of the Owner of the machine;
- 6- Only the clauses of this Warranty Certificate will be fulfilled if the TERM OF DELIVERY is duly completed and sent to JF at the time of delivery (see 'INSTRUCTIONS FOR SHIPMENT TO THE FACTORY' on the TERM OF DELIVERY);
- 7- The manufacturer reserves the right to make modifications to its products without this insuring in any obligation to apply them to the products previously manufactured.

IMPORTANT!

This machine must be operated exclusively by a person duly qualified for this purpose. JF regularly offers operational training courses for its entire line of machines. For more information, visit www.jfmaquinas.com.br or contact Customer Service at (19) 3863 9642.

1 - Introducción

¡Felicidades! Usted acaba de adquirir un Molino de simples operación y mantenimiento, fabricada por JF Máquinas Agrícolas Ltda. Un producto de la más alta calidad, especialmente desarrollado para atender a sus necesidades.

Este manual contiene instrucciones de operación y mantenimiento, que debidamente observadas serán la garantía del buen funcionamiento, con seguridad y durabilidad, de su JF 15D. Recomendamos su lectura atenta, antes de poner la máquina en funcionamiento.

Se encuentra fijada en la máquina una plaqueta de identificación con su número de serie de fabricación. Anote este número en el certificado de garantía, en este manual. Esta información será muy importante para la identificación de su máquina, en caso de asistencia o reposición de piezas.

JF Máquinas Agrícolas estará siempre a su disposición, para responder a cualquier consulta, ofreciéndole asistencia técnica eficaz y permanente.

Departamento de Postventas

Teléfonos (+55 19) 3863-9658 - Comércio Externo
 (+55 19) 3863-9642 - Comércio Interno

e-mail falecom@jfmaquinas.com.br

Website www.jfmaquinas.com

Las imágenes presentadas en este manual son de carácter meramente ilustrativo. Para facilitar la visualización, las imágenes pueden mostrar protecciones de seguridad abiertas o desmontadas. En ninguna hipótesis utilice la máquina sin las respectivas protecciones.