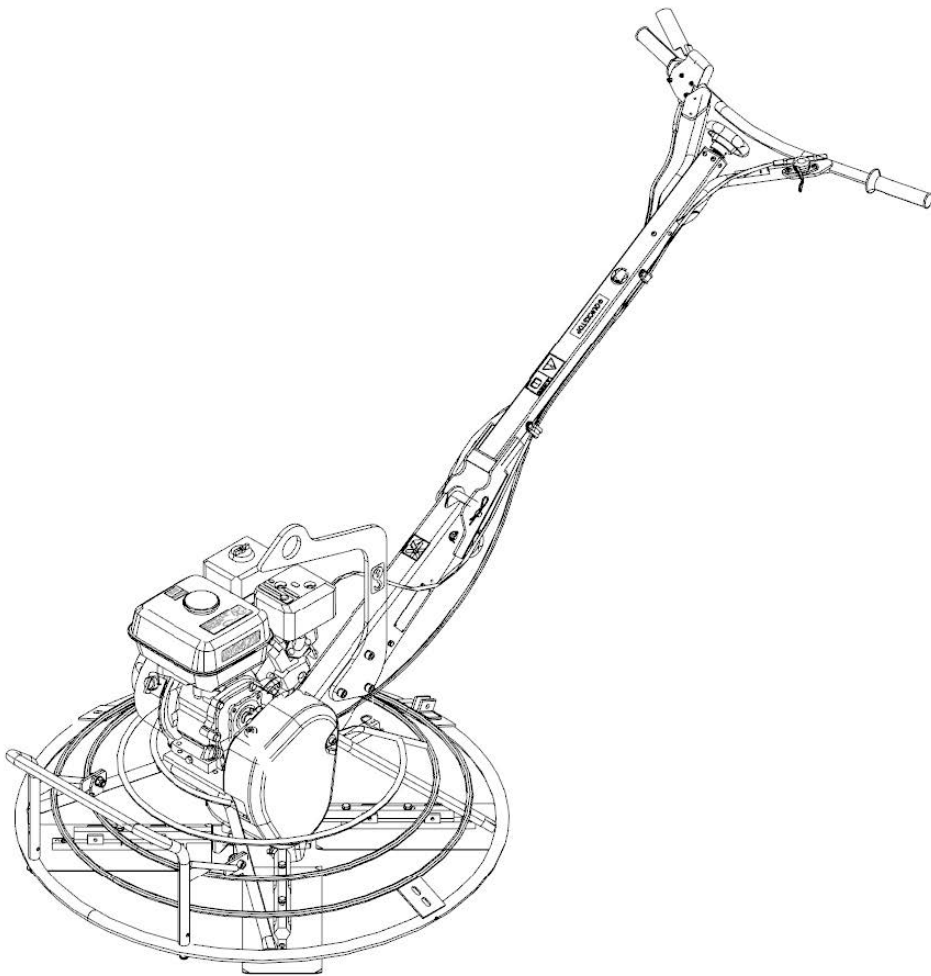


# BG 479 F TP&QP

---

## Spare parts list: Trowel

BG 479 F TP&QP



# General information

This spare parts list applies to the following:

Part number	Description
967859201	BG479 F TP US
967859202	BG479 F QP US

Use only authorized parts. Any damage or malfunction caused by the use of Unauthorized parts are not covered by Warranty or Product Liability. Any unauthorized use or copying of the contents or any part thereof is Prohibited. This applies in particular to trademarks, model denominations, part numbers, and drawings.

## Instructions for use

This spare parts list contains no safety regulations and is merely intended to assist in the ordering of spare parts.

For information about operating, servicing, or repairing, the relevant Safety and operating instructions must be consulted at all costs.

Please observe the safety instructions listed in the relevant Safety and operating instructions!

**Mechanical**

BG479 F TP	1
BG479 F QP	3
Blade assembly	5
Driving System GX270	7
Engine Honda GX270	9
Module Handle 479	11
Screw regulator TP	14
Quick pitch	17
Labels TP	19
Labels QP	21

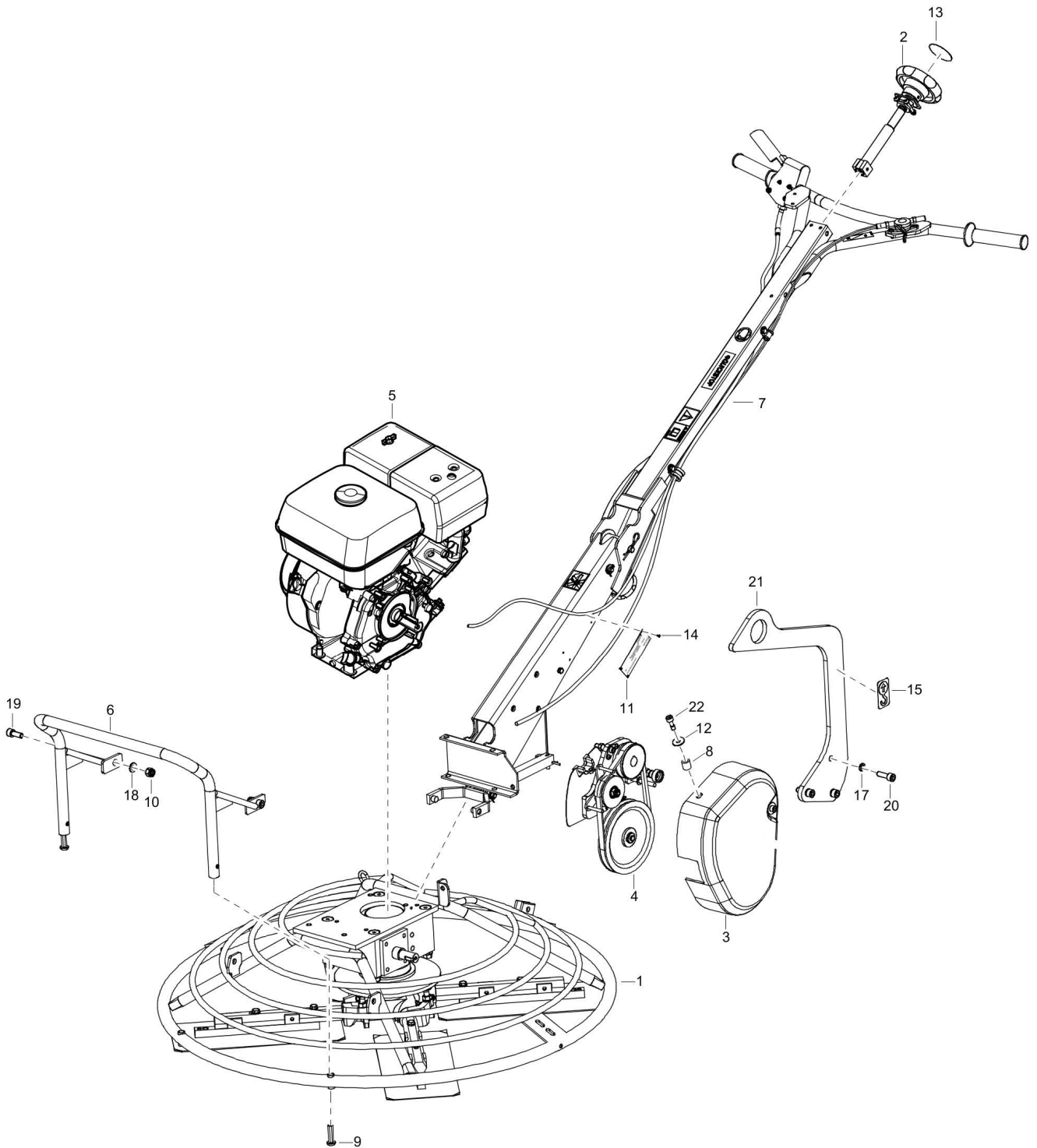
**Accessories**

Consumables	23
-------------	----

**Kits**

Service kit, Honda GX 160	25
Maintenance kit, Honda GX 160 and 200, short handle	27
Transport device kit	29
Gear box seal kit	31

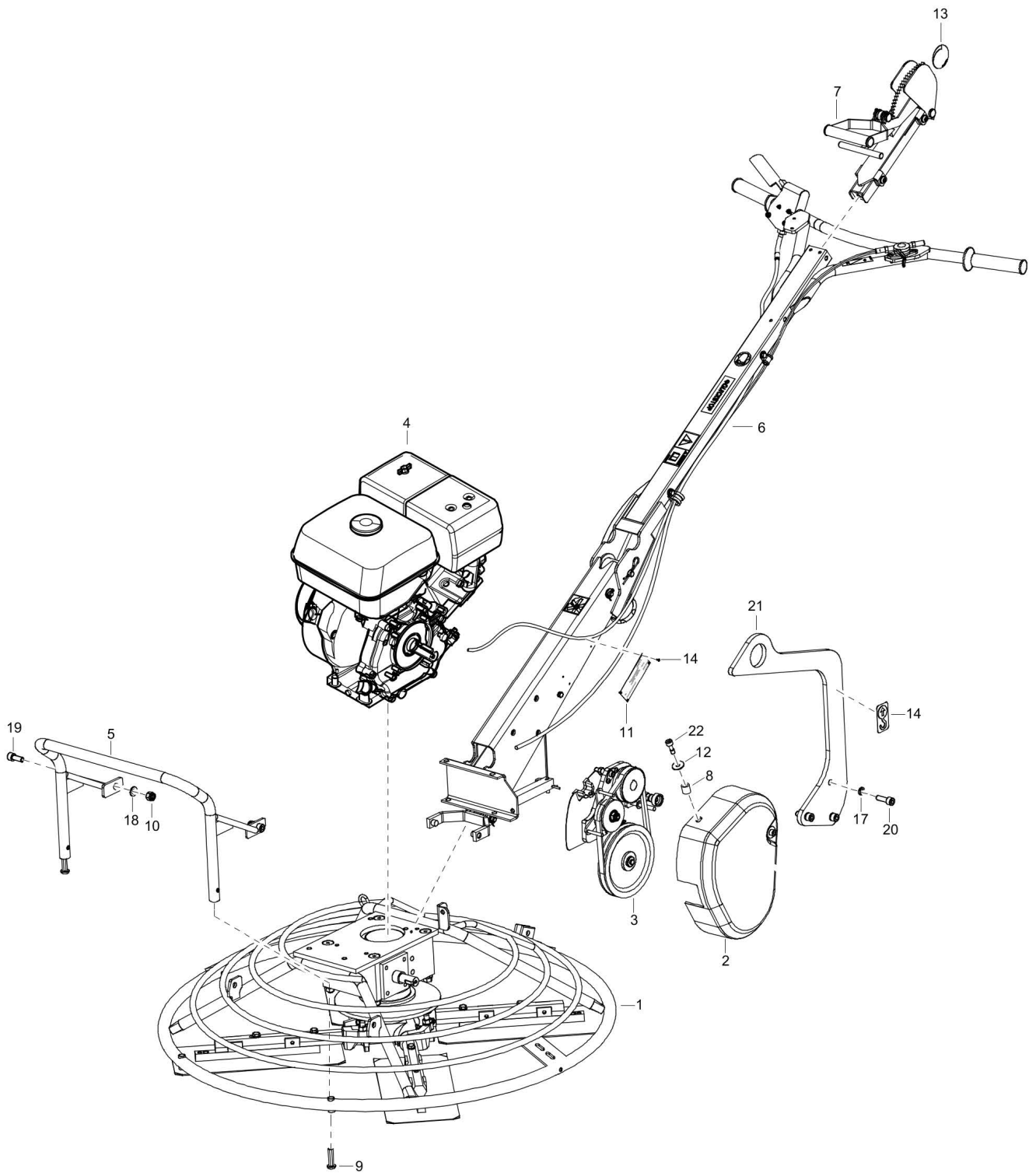
Mechanical BG479 F TP



Refer to the Parts Online web page for most up-to-date information. The printed information might be outdated.

Item	Part No.	Name	Qty	L
1	-	Basic assembly	1	
2	594866301	Blade adjuster	1	
3	595278301	Cover	1	
4	-	Driving system GX270	1	
5	595502801	Honda GX 270	1	
6	595099901	Lifting handle	1	
7	595100701	Module handle 479	1	
8	594867501	Spacer	1	
9	595212401	Hex Sock screw M10X40mm, (1.57")	2	
10	594122901	Locknut:m 10 zn plt,\$stl w/nyl	2	
11	595501001	Signplate	1	
12	594123701	Plain washer	2	
13	594245801	Decal blade angle	1	
14	595344001	Blind rivet	4	
15	594332101	Decal	1	
17	595113801	Washer	3	
18	595113301	Plain washer	2	
19	595111301	Screw	2	
20	594120701	Hex sock. screw	3	
21	595100001	Lifting eye	1	
22	594642501	Captive screw M8x25, (.98".)	2	

Mechanical BG479 F QP

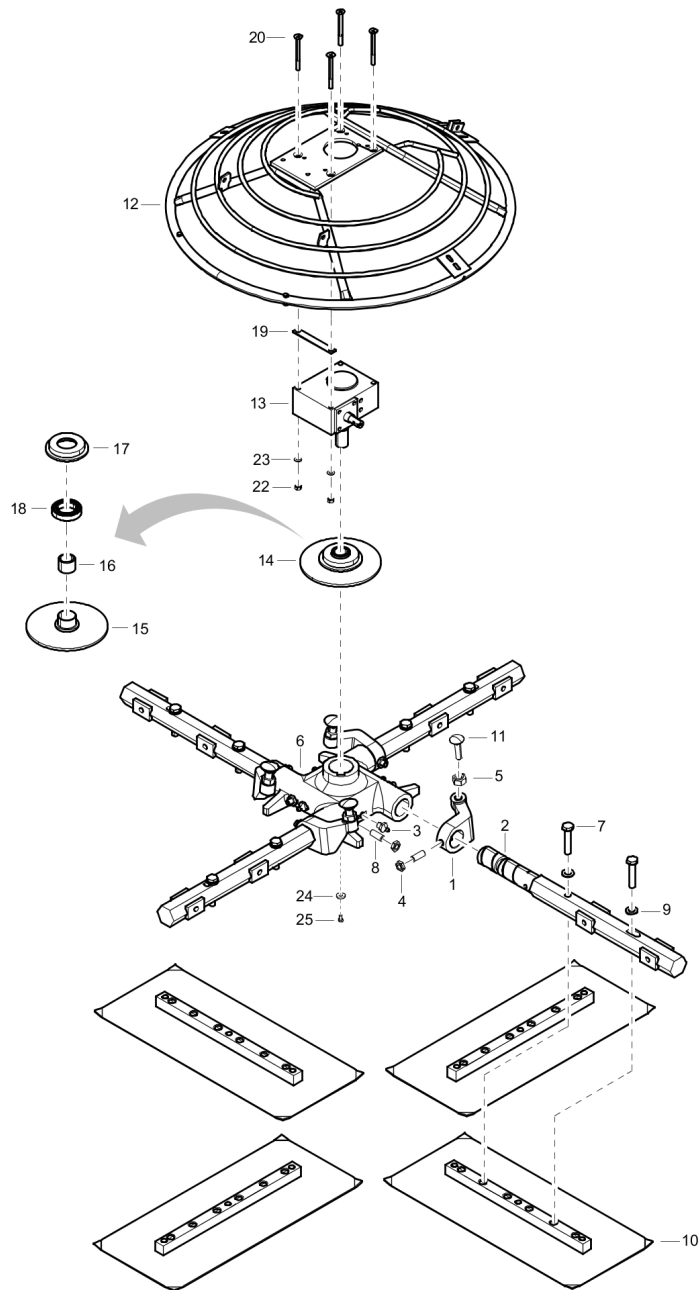


Refer to the Parts Online web page for most up-to-date information. The printed information might be outdated.

Item	Part No.	Name	Qty	L
1	-	Basic assembly	1	
2	595278301	Cover GX270 yellow	1	
3	-	Driving system GX270	1	
4	595502801	Honda GX 270	1	
5	595099901	Lifting handle	1	
6	595100701	Module handle 479	1	
7	595526201	Quick pitch	1	
8	594867501	Spacer	1	
9	595212401	Hex Sock screw M10X40mm, (1.57")	2	
10	594122901	Locknut:m 10 zn plt,\$stl w/nyl	2	
11	595501001	Signplate	1	
12	594123701	Plain washer	2	
13	594245801	Decal blade angle	1	
14	595344001	Blind rivet	4	
15	594332101	Decal	1	
17	595113801	Washer	3	
18	595113301	Plain washer	2	
19	595111301	Screw	2	
20	594120701	Hex sock. screw	3	
21	595100001	Lifting eye	1	
22	594642501	Captive screw M8x25, (.98".)	2	

Refer to the Parts Online web page for most up-to-date information. The printed information might be outdated.

**Mechanical** Blade assembly

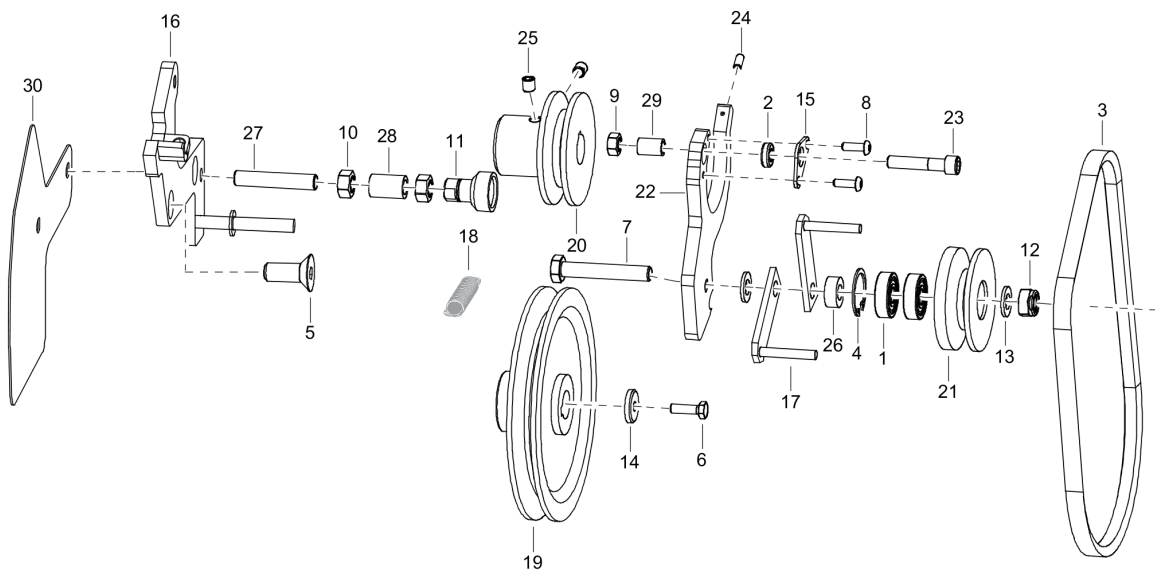


Refer to the Parts Online web page for most up-to-date information. The printed information might be outdated.



Item	Part No.	Name	Qty	L
1	595361801	Blade assy	1	
1	594246001	Arm	4	
2	594777401	Blade axle	4	
3	594126801	Grease nipple, M8	4	
4	595351701	Nut m8	8	
5	595029401	Nut:m10.0dx 8.4h hex,zn plt,\$s	4	
6	594240301	Hub	1	
7	595033501	Screw	8	
8	595346301	Set screw M8x20mm, (.98".)	8	
9	595036601	Plain washer	4	
10	594198601	Blades Finishing- Quick release set of 4 Pcs.	1	A
11	595350801	Square neck bolt M10x40mm, (1.57".)	4	
12	595100301	Chassis	1	
13	594226601	Gear box	1	
14	595136601	Pressure plate CPL	1	
15	594241701	Pressure plate	1	
16	594226801	Sleeve bearing	1	
17	594248601	Bearing plate	1	
18	595038101	Ball bearing	1	
19	595443701	Holder plate	1	
20	595349801	Hex.sock screw M10x110mm, (4.33".)	4	
21	594119001	Bolt	1	
22	595029401	Nut:m10.0dx 8.4h hex,zn plt,\$s	4	
23	595113301	Plain washer	4	
24	594124001	Washer, 13x36x6 mm, 0.51x1.42x0.24 ". 300HV	1	
25	595345201	Screw:m12x 20;hex hd,zn plt,\$s	1	

**Mechanical** Driving System GX270

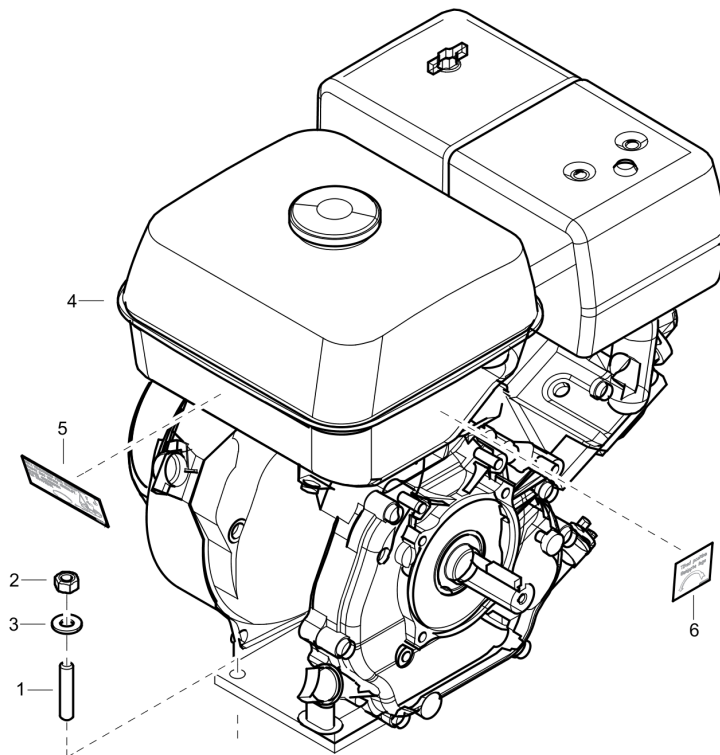


Refer to the Parts Online web page for most up-to-date information. The printed information might be outdated.

Item	Part No.	Name	Qty	L
1	594219701	Ball bearing	2	
2	594641101	Bearing	1	
3	594641701	V-belt	1	
4	595037301	Retaining ring	1	
5	595350101	Screw, M8 x 20 mm	2	
6	595109801	Screw DIN933	1	
7	595344901	Screw DIN933	1	
8	595211601	Hex. sock. button head screw M5x16mm, (.62".)	2	
9	595035701	Hexagon nut	1	
10	595029401	Nut:m10.0dx 8.4h hex,zn plt,\$s	2	
11	594642401	Holder	1	
12	594122901	Locknut:m 10 zn plt,\$stl w/nyl	2	
13	595113301	Plain washer	2	
14	595119201	Plain washer	1	
15	594864301	Plate	1	
16	595500301	Plate assembly	1	
17	594864401	Plate with pin	2	
18	594249501	Pull spring	1	
19	595501101	Pulley	1	
20	594642201	Pulley	1	
21	594864501	Pulley	1	
22	595501201	Rocker 479	1	
23	595501801	Screw m8x35 mm, (1.37".)	1	
24	595346101	Screw stopper M5x12 mm, (.47".)	1	
25	595346701	Set screw M8x8mm, (.31".)	2	
26	594159601	Spacer	1	
27	595212701	Rod, M10 x 68 mm, (2.67".)	1	
28	595501601	Tube	1	
29	595501701	Tube	1	
30	595500401	Back plate	1	

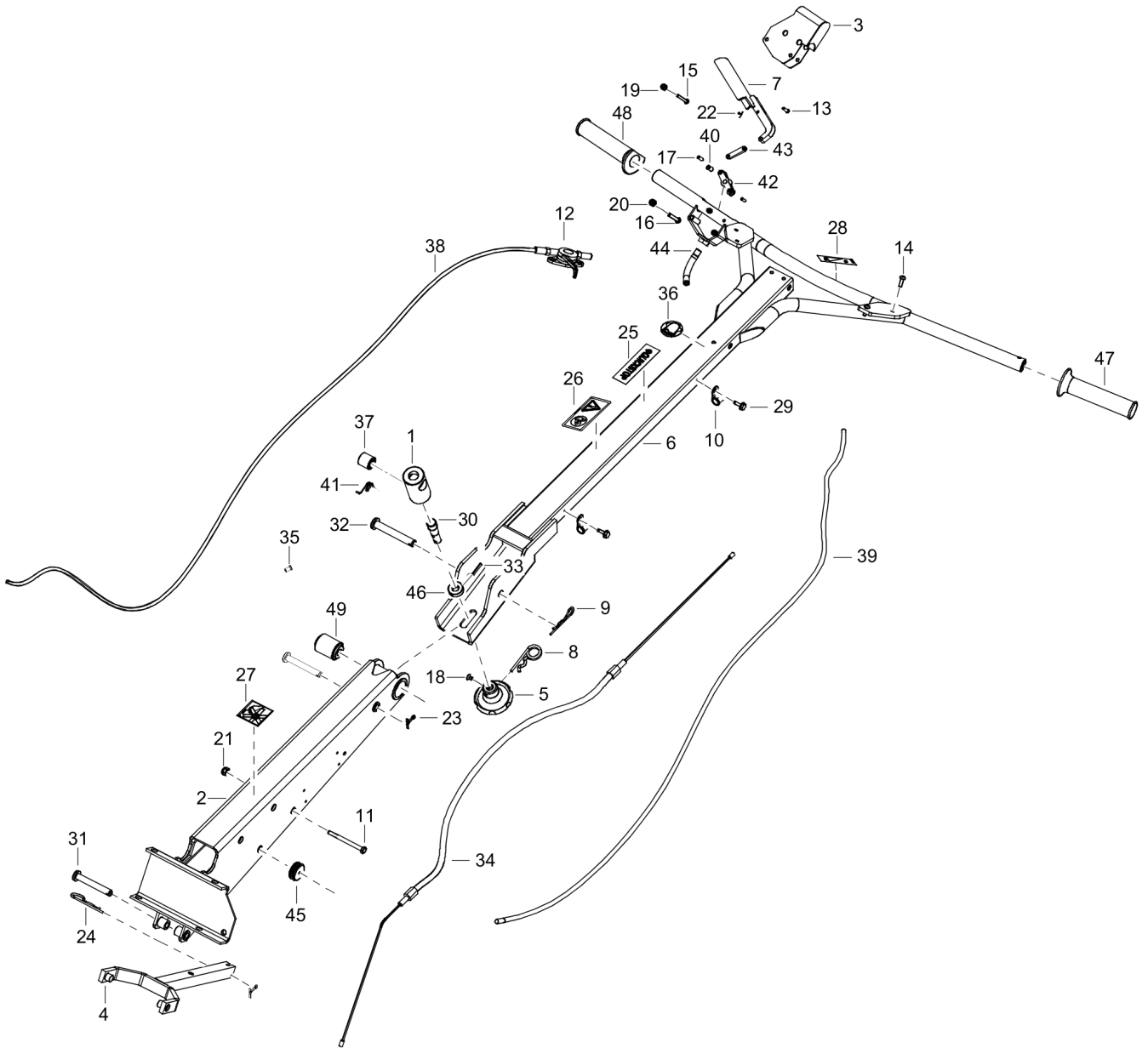
Refer to the Parts Online web page for most up-to-date information. The printed information might be outdated.

**Mechanical** Engine Honda GX270



Item	Part No.	Name	Qty	L
1	595358701	Stud, M8 x 45 mm, (1.77".)	4	A
2	595029401	Nut:m10.0dx 8.4h hex,zn plt,\$s	4	
3	595182601	Special spring washer	4	
4	595124001	Honda GX270	1	
5	594245901	Decal remove disk	1	
6	595211201	Decal tilted position	1	

**Mechanical** Module Handle 479



Refer to the Parts Online web page for most up-to-date information. The printed information might be outdated.

Item	Part No.	Name	Qty	L
1	594865901	Bushing	1	
2	595099801	Console	1	
3	595088301	Cover	1	
4	594243801	Fork	1	
5	594641401	Handle	1	
6	594641001	Handle upper part	1	
7	594640601	Lever	1	
8	594866001	Locking clip	1	
9	595033101	Pin spring f2.5 br a2k	1	
10	595114601	Clamp	2	
11	594117801	Hexagon bolt	1	
12	594224101	Trottle control	1	
13	594641301	Clevis pin	1	
14	595211601	Hex. sock. button head screw M5x16mm, (.62".)	2	
15	595500501	Hex. sock. button head screw M4x30, (1.18".)	2	
16	595526301	Hex. sock. button head screw M5x30, (1.18".)	2	
17	-	Set screw	2	
18	594750601	Screw M5	1	
19	595351901	Locknut M4	2	
20	595112401	Nut	2	
21	595352001	Nut DIN985	1	
22	595033001	Split pin	1	
23	594117301	Split pin, 3.2 x 28 mm, (0.13 x 1.10".)	2	
24	594117501	Locking clip	1	
25	595119101	Decal quick stop	1	
26	594869701	Decal safety	1	
27	594163001	Label, cutting hazards	1	
28	595211301	Decal min max	1	
29	595355801	Drilling screw 4.8x16	2	
30	594641201	Stud	1	
31	595109601	Pin 10x70mm, (2.75".)	2	
32	595210701	Pin 12x80mm, (3.14".)	1	
33	595109401	Spring pin f4h24	1	
34	594639101	Conductor tilt blade	1	
35	595118301	Cable sleeve 1,5x7	1	
36	594337101	Label, use ear protectors	1	
37	594863801	Ultra sleeve	1	
38	594639301	Gas wire	1	

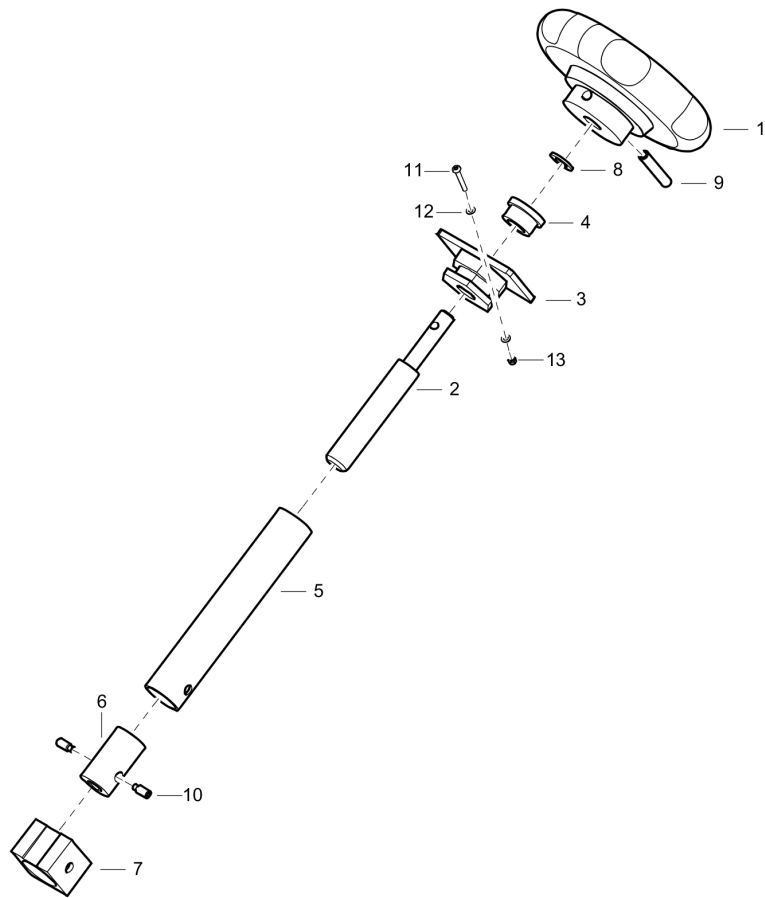
Refer to the Parts Online web page for most up-to-date information. The printed information might be outdated.

Item	Part No.	Name	Qty	L
39	594640901	Blade adjusting wire	1	
40	594640701	Bronze bushing	1	
41	594638801	Spring	1	
42	594640401	Lever	1	
43	594640801	Lever	1	
44	594865201	Pipe joint	1	
45	594863601	Pulley	1	
46	594866101	Support washer	1	
47	594223301	Rubber handle	1	
48	594866201	Rubber handle	1	
49	594863701	Damping sleeve	1	



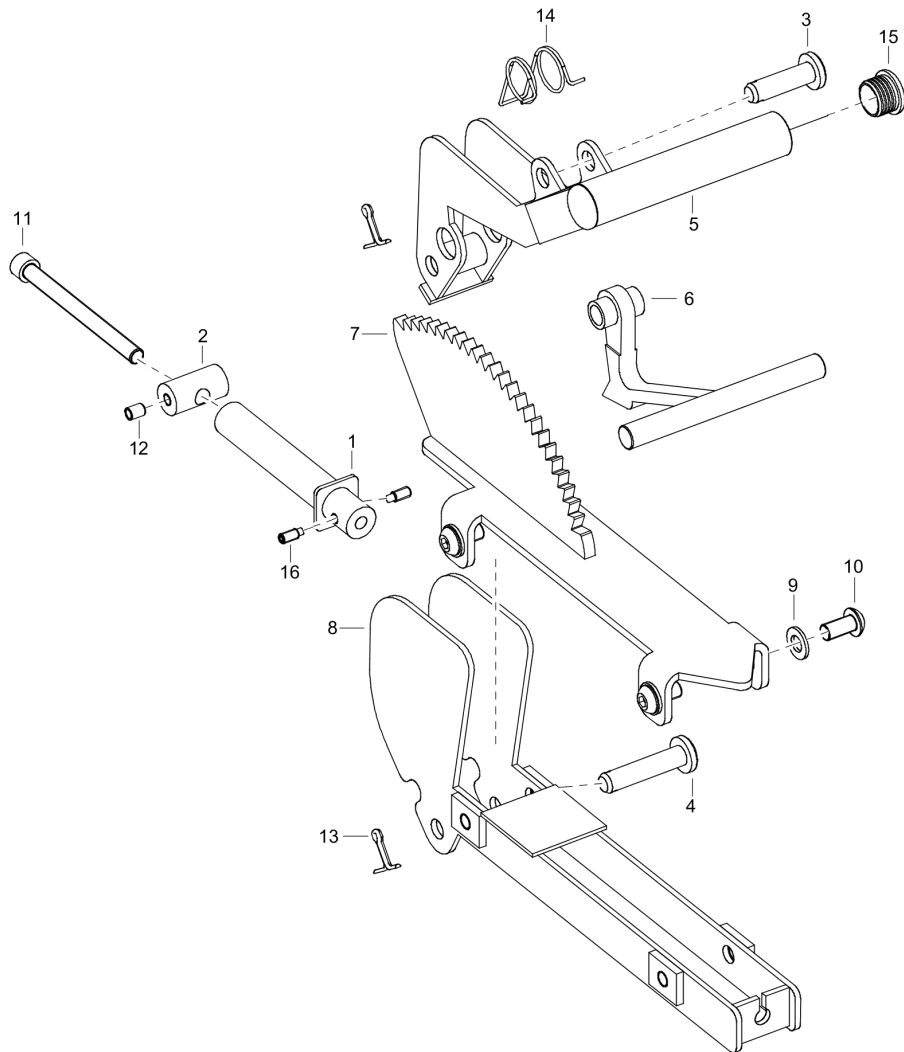
This page intentionally left blank

**Mechanical** Screw regulator TP



Item	Part No.	Name	Qty	L
1	595364401	Handle - developing	1	
2	595442801	Adjusting screw	1	A
3	594779501	Holder with sleeve	1	
4	594219801	Flange bearing	1	
5	594246401	Adjusting nut	1	
6	594246101	Shortstop cable	1	
7	595140201	Guiding	1	
8	595113301	Plain washer	1	
9	595109501	Spring pin 5x30, (1.18".)	1	
10	-	Screw stopper M5x12 mm, (.47".)	2	
11	595211701	Hex.sock.button head screw M5x40 (1.57".)	3	
12	594123801	Washer DIN125	6	
13	595112401	Nut	3	

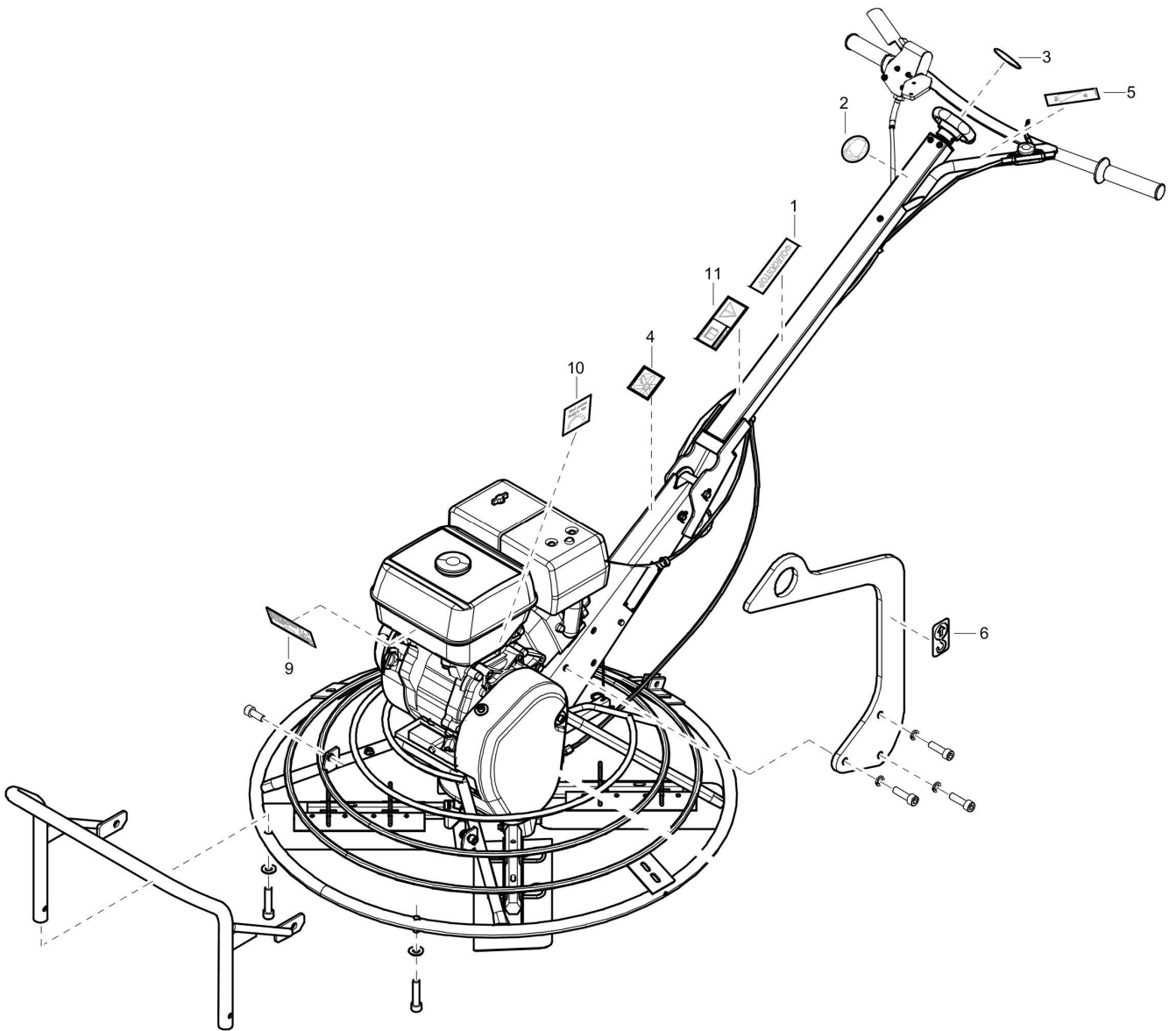
**Mechanical** Quick pitch



Refer to the Parts Online web page for most up-to-date information. The printed information might be outdated.

Item	Part No.	Name	Qty	L
1	-	Adjusting nut cpl.	1	
2	595140701	Bracket	1	
3	595343801	Clevis pin	1	
4	595343901	Clevis pin, Ø10 x 40 mm, (1.57".)	1	
5	595499401	Handle	1	
6	595499501	Handle	1	
7	595500001	Holder with disc	1	
8	595499301	Lever bracket	1	
9	595036601	Plain washer	1	
10	-	Screw iso7380	4	
11	595502101	Screw m8x90 mm, (3.54".)	1	
12	595346601	Set screw, M6 x 8 mm, (.31".)	1	
13	594117301	Split pin, 3.2 x 28 mm, (0.13 x 1.10 ".)	2	
14	595499901	Spring	1	
15	594230701	Tube plug	2	
16	-	Screw stopper M5x12 mm, (.47".)	2	

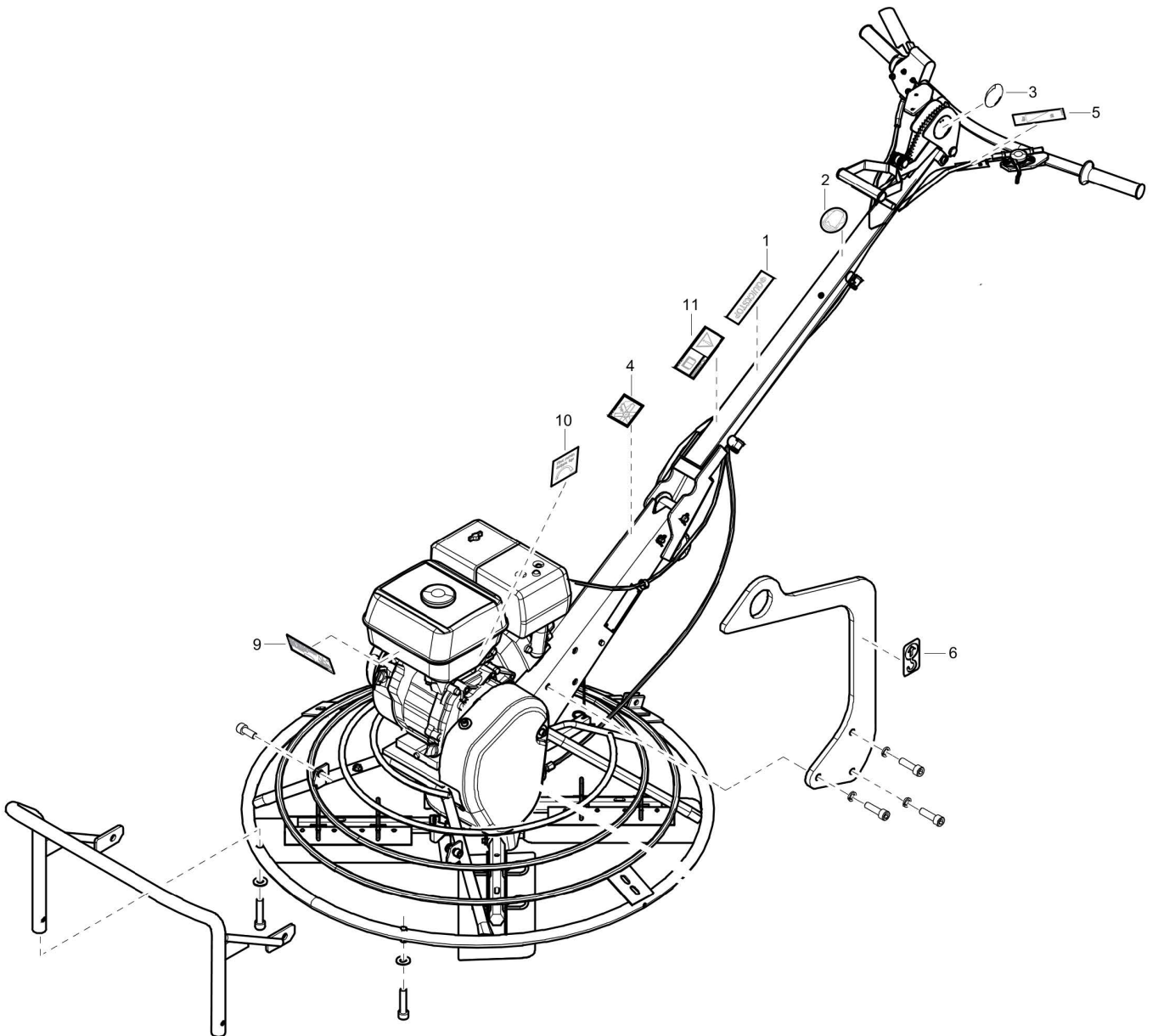
Mechanical Labels TP



Refer to the Parts Online web page for most up-to-date information. The printed information might be outdated.

Item	Part No.	Name	Qty	L
1	595119101	Decal quick stop	1	
2	594337101	Label, use ear protectors	1	
3	594245801	Decal blade angle	1	
4	594163001	Label, cutting hazards	1	
5	595211301	Decal min max	1	
6	594332101	Decal	1	
9	594245901	Decal remove disk	1	
10	595211201	Decal tilted position	1	
11	594162701	Decal safety	1	

Mechanical Labels QP





Item	Part No.	Name	Qty	L
1	595119101	Decal quick stop	1	
2	594337101	Label, use ear protectors	1	
3	594245801	Decal blade angle	1	
4	594163001	Label, cutting hazards	1	
5	595211301	Decal min max	1	
6	594332101	Decal	1	
9	594245901	Decal remove disk	1	
10	595211201	Decal tilted position	1	
11	594162701	Decal safety	1	

**Accessories** Consumables

NO EXPLODED VIEW  
AVAILABLE  
FOR THIS BOM

Item	Part No.	Name	Qty	L
1	594207801	Floating blade	1	A
2	594198601	Blades Finishing- Quick release set of 4 Pcs.	1	B
3	-	Combination blade 1.5mm Classic Line	1	
4	594867101	Finishing blade 1.6mm Pro Line	1	
5	594867001	Combination blade 1.6mm ProLine	1	
6	594867401	Plastic blade 10mm Pro Line	1	

**Kits** Service kit, Honda GX 160

NO EXPLODED VIEW  
AVAILABLE  
FOR THIS BOM

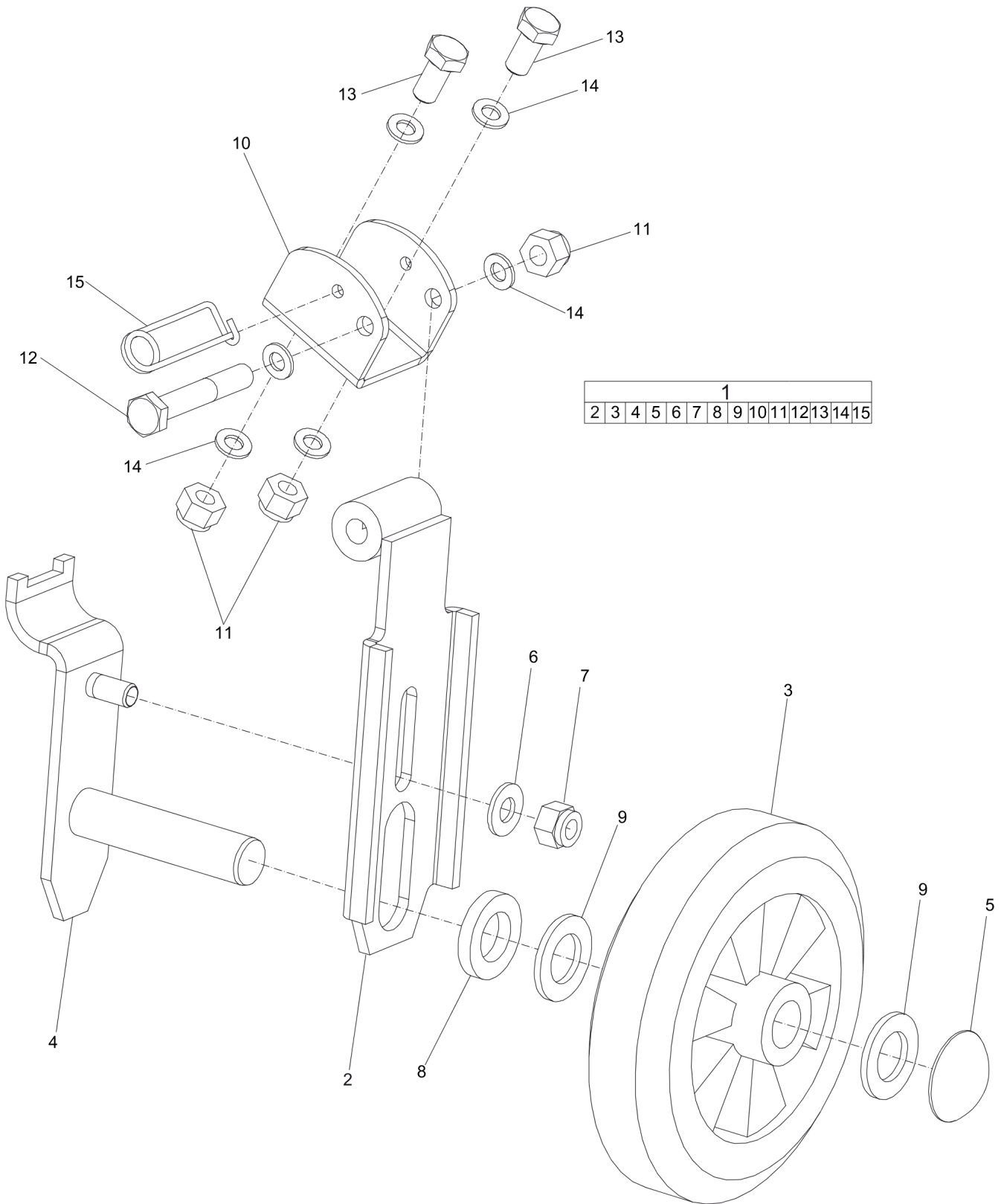
Item	Part No.	Name	Qty	L
1	594200201	One year service kit	1	
1	594302101	Air Filter, complete	1	
2	595048901	Oil plug gasket	1	
3	595049101	Starting rope	1	
4	594544301	Spark plug	1	
5	595048801	Gasket	1	

**Kits** Maintenance kit, Honda GX 160 and 200, short handle

NO EXPLODED VIEW  
AVAILABLE  
FOR THIS BOM

Item	Part No.	Name	Qty	L
1	595194201	Maintenance kit	1	
-	594641701	V-belt	1	
-	594639301	Gas wire	1	
-	594640901	Blade adjusting wire	1	
-	594639101	Conductor tilt blade	1	

**Kits** Transport device kit



Refer to the Parts Online web page for most up-to-date information. The printed information might be outdated.



Item	Part No.	Name	Qty	L
1	594751501	Transport device kit	1	
2	595502701	Arm	2	
3	594224201	Wheel	2	
4	595122801	Bracket	2	
5	594768901	Locking washer	2	
6	--	Washer, 10.5 x 22 x 2 mm, (0.41 x 0.87 x 0.08 ".) 300 HV	2	
7	--	Lock nut, M10	2	
8	--	Washer, 21 x 36 x 6 mm 300 HV, (0.83 x 1.42 x 0.24 ".) 300 HV	2	
9	--	Washer, 21 x 36 x 3 mm 300 HV, (0.83 x 1.42 x 0.12 in".) 300 HV	4	
10	595526501	Attachment	2	
11	--	Lock nut, M10	6	
11	--	Lock nut, M10	6	
11	--	Lock nut, M10	6	
11	--	Lock nut, M10	6	
12	--	Screw, M10 x 70 mm, (2.75".)	2	
13	--	Screw, M10 x 25 mm, (.98".)	4	
14	--	Washer, 10 x 2 mm, (0.39 x 0.08 ".)	12	
15	594161801	Hair pin	2	

**Kits** Gear box seal kit

NO EXPLODED VIEW  
AVAILABLE  
FOR THIS BOM

Item	Part No.	Name	Qty	L
1	594206901	Gear box seal kit	1	
2	-	Cover seal, 62 mm, (2.44 ".)	1	
3	-	Cover seal, 60 mm, (2.36 ".)	1	
4	-	Shaft seal, 45 mm, (1.77 ".)	1	
5	-	Shaft seal, 30 mm, (1.18 ".)	1	

Any unauthorized use or copying of the contents or any part thereof is prohibited.  
This applies in particular to trademarks, model denominations, part numbers, and drawings.