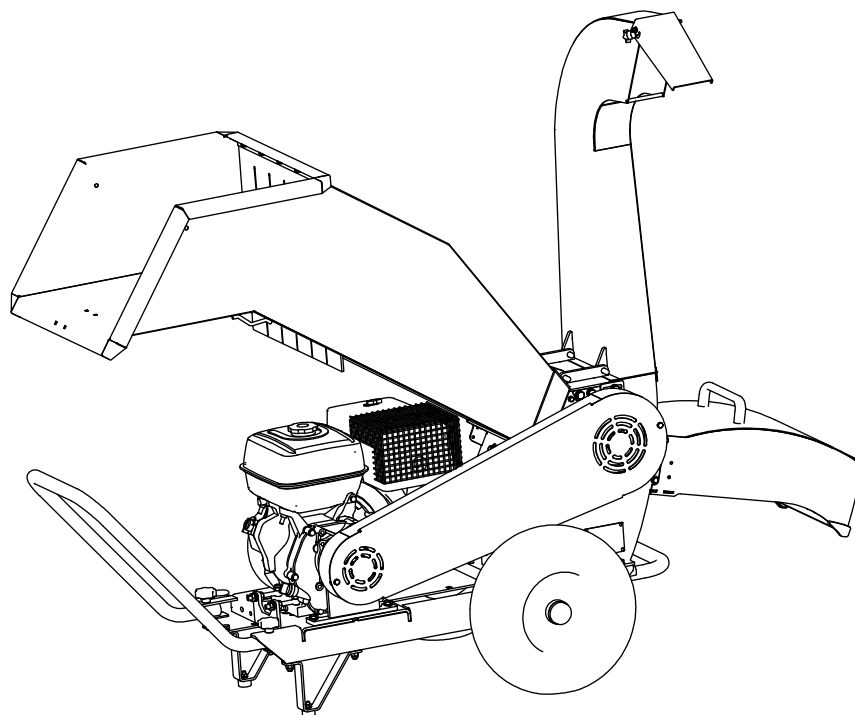


**WOOD CHIPPER
GTS1300C**



Contents

| | | |
|----|-------------------------------------|----|
| A. | Parts list complete | 4 |
| B. | Engine, wheel & frame parts | 8 |
| C. | Shredderbox parts | 12 |
| D. | Belt & emergency button parts | 16 |
| E. | Input, output & handle parts | 20 |
| F. | Accessoires | 26 |

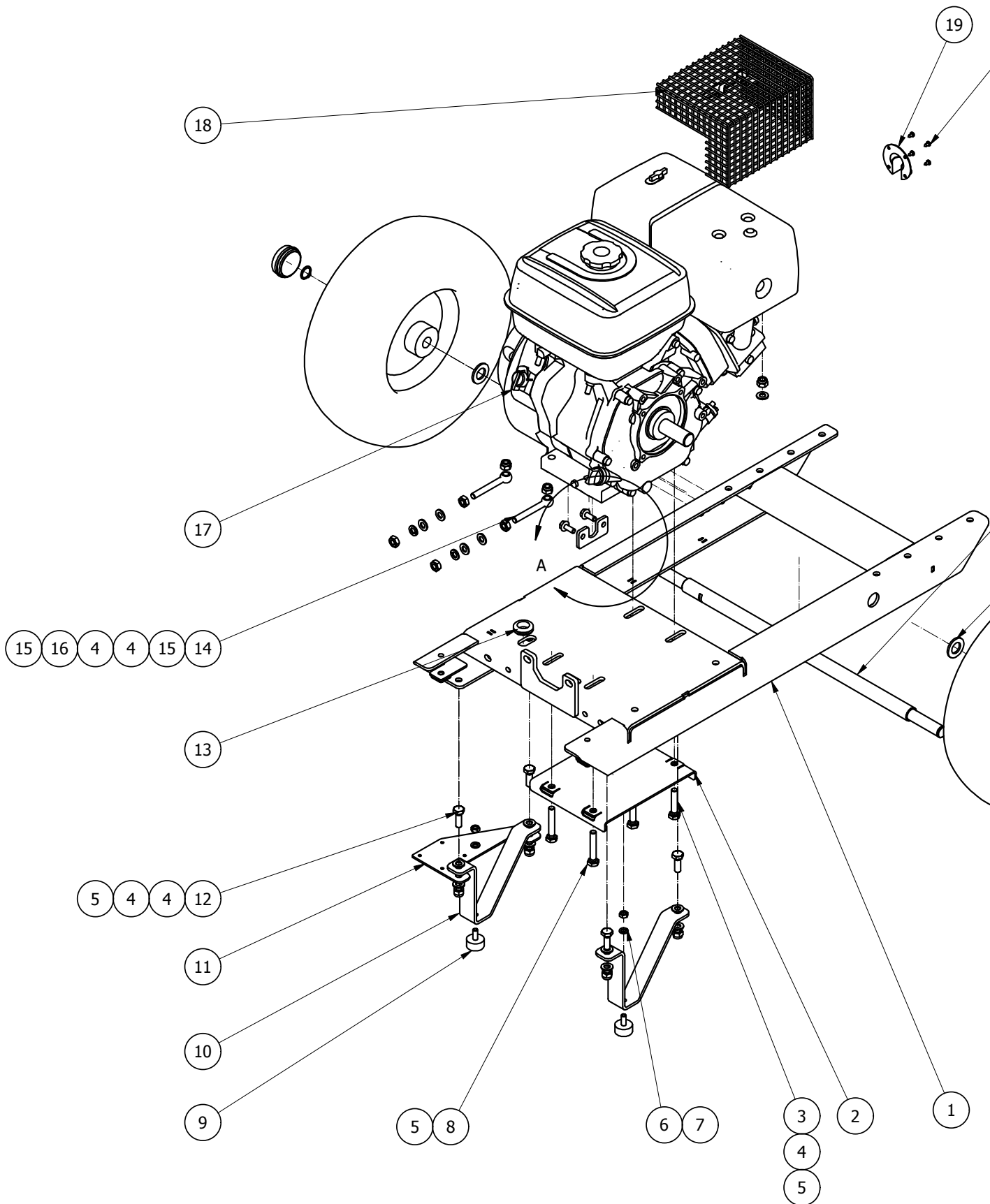
A. Parts list complete

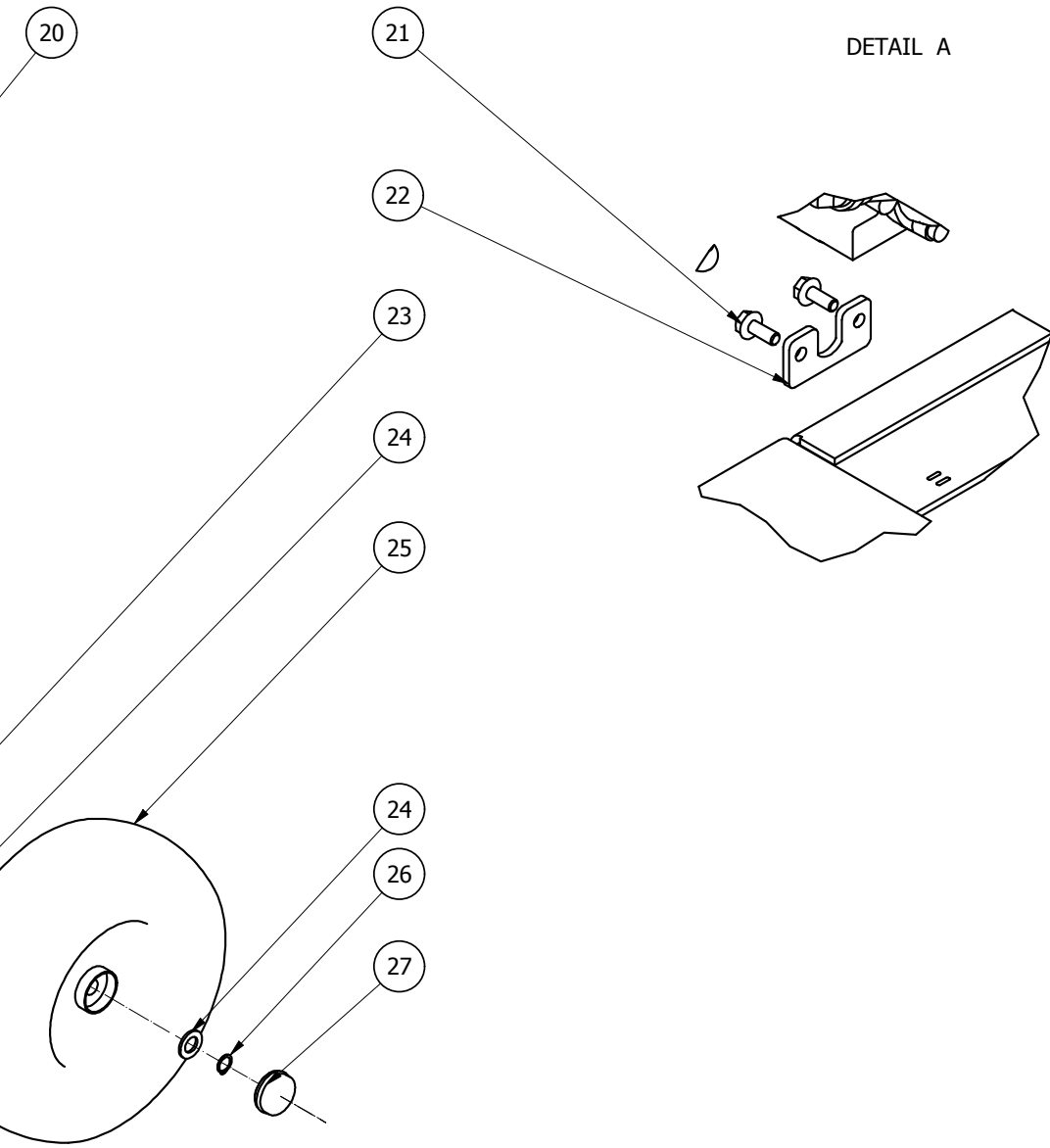
| PARTNR. | ARTICLE NUMBER | PART NAME | QTY |
|---------|----------------|--|-----|
| 1 | M03-3163000 | GTS1300 V5 frame for gasoline | 1 |
| 2 | M03-3166000 | weldassembly engine lockingplate | 1 |
| 3 | S01-M10050N-FN | hex bolt M10x50 | 2 |
| 4 | S04-0M1020P-IR | plain washer 10 | 53 |
| 5 | S03-M10000L-0N | tall self lock nut with nylon insert M10 | 18 |
| 6 | S04-0M0815L-IR | open spring washer 8 | 2 |
| 7 | S03-M08000N-0N | hexagon standard nut M8 | 2 |
| 8 | S01-M10060N-FN | hex bolt M10x60 | 2 |
| 9 | S21-0007000 | vibration damper 15mm with stud M8 | 2 |
| 10 | M03-3165000 | ground support frame GTS1300V5 | 2 |
| 11 | M03-9078000 | emergency plate | 1 |
| 12 | S01-M10030N-FN | hex bolt M10x30 | 4 |
| 13 | S18-0000006 | feedthrough coil 34-27x21.0 | 1 |
| 14 | S01-M10080E-PN | eyebolt M10x80 | 2 |
| 15 | S03-M10000N-0N | hexagon standard nut M10 | 4 |
| 16 | S04-0M1016L-IR | open spring washer 10 | 21 |
| 17 | C01-GGTE420 | engine loncin GTE420F | 1 |
| or | C01-GGTE42E | engine loncin G420FD - electric start | 1 |
| or | C01-GB40GPN | engine MHI GB40 | 1 |
| or | C01-H0GX390 | engine Honda GX390 | 1 |
| 18 | B05-0002000 | heat protector Loncin/Honda | 1 |
| or | M02-9004000 | heat protector MHI | 1 |
| 19 | M03-301500H | muffler deflector for Honda/Loncin engines | 1 |
| or | M03-3019000 | muffler deflector MHI engines | 1 |
| 20 | S01-M04005T-FN | cross recessed head tapping screw 4,2x9,5 | 4 |
| 21 | S01-M08020F-FN | flange bolt with hexagon head M8x20 | 2 |
| 22 | M03-3168000 | locking plate for axle GTS1300V5 | 1 |
| 23 | M02-3006007 | wheel axle GTS1300 V5 | 1 |
| 24 | S04-0M2030P-IR | plain washer 20 | 4 |
| 25 | C05-W164008 | wheel 16-6.5-R8 axle 20mm air tire white rim | 2 |
| 26 | S09-O200000-01 | circlips 20 | 2 |
| 27 | M05-3002000 | wheel cap | 2 |
| 28 | S13-AL32090 | rivet 3.2x12 | 4 |
| 29 | M03-0213000 | serial numberplate De Wild NL | 1 |
| 30 | S01-M10035N-FN | hex bolt M10x35 | 10 |
| 31 | S01-M10020J-FN | inner hexagon socket head cap bolt M10x20 | 5 |
| 32 | M03-3017000 | counter blade GTS1300 | 1 |
| 33 | M03-3012000 | rotor protector | 2 |
| 34 | S01-M06016N-FN | hex bolt M6x16 | 4 |
| 35 | S04-0M0615L-IR | open spring washer 6 | 6 |
| 36 | S04-0M0612P-IR | plain washer 6 | 21 |
| 37 | S99-M120800 | thread plug M12x1.5-8 | 1 |
| 38 | S12-SSFY506-NN | flanged bearing house FY506M | 2 |
| 39 | S01-M10025N-FN | hex bolt M10x25 | 8 |

| | | | |
|----|----------------|---|----|
| 40 | M05-3001000 | bearing cap | 1 |
| 41 | M03-3040000 | bearing cap support | 1 |
| 42 | S01-M06010N-FN | hex bolt M6x10 | 2 |
| 43 | M03-3164000 | GTS1300V5 top of box | 1 |
| 44 | S01-M10016N-FN | hex bolt M10x16 | 5 |
| 45 | S01-M10030X-FN | special M10 bolt for blade | 10 |
| 46 | M03-014300P-X1 | X1 blade GTS1300 | 2 |
| 47 | M03-3020000 | rotor | 1 |
| 48 | M03-3503000 | low output cover GTS1300C | 1 |
| 49 | M02-3003000 | bumper | 1 |
| 50 | S01-M08025F-FN | flange bolt with hexagon head M8x25 | 7 |
| 51 | M03-3501000 | shredderbox GTS1300C | 1 |
| 52 | S01-M08025N-FN | hex bolt M8x25 | 2 |
| 53 | M03-3026000 | safety ring for engine | 1 |
| 54 | M07-002700T | taperlock pulley assembly Loncin MHI Honda engine | 1 |
| 55 | M01-3005000 | key for MHI engine | 1 |
| 56 | M01-3007000 | bush for engine shaft 16mm | 1 |
| 57 | S01-M08030X-PN | carriage bolt M8x30 | 4 |
| 58 | S04-0M0816P-IR | plain washer 8 | 4 |
| 59 | S03-M08000L-0N | tall self lock nut with nylon insert M8 | 6 |
| 60 | M03-3028000 | belt cover support weldment | 1 |
| 61 | M05-0014000 | protection cover for engine shaft | 1 |
| 62 | M05-3005000 | feedthrough coil 30-20x10 | 1 |
| 63 | E02-SPCOE01 | emergency switch | 1 |
| 64 | S01-M04016P-FN | cross recessed pan head screw M4x16 | 4 |
| 65 | S04-0M0408P-IR | plain washer 4 | 4 |
| 66 | S03-M04000N-0N | hexagon standard nut M4 | 4 |
| 67 | A07-0010000 | belt tensioner assembly | 1 |
| 68 | M03-0235000 | belt cover | 1 |
| 69 | S01-M10020N-FN | hex bolt M10x20 | 1 |
| 70 | S14-100828R | key 10x8-28 rotor | 1 |
| 71 | S07-A691780-LP | V-belt GTS1300 | 2 |
| 72 | M07-314600T | taperlock V-belt rotor pulley 146mm | 1 |
| 73 | M03-3025000 | safety ring for rotor | 1 |
| 74 | M03-0200000 | belt cover lid | 1 |
| 75 | S01-M06025X-PN | hex head bolt with reduced shank M6x25 | 2 |
| 76 | S01-M08055S-FN | star headed bolt M8x55 | 2 |
| 77 | M02-3002000 | handle | 1 |
| 78 | S04-0M0820B-IR | large washer 8 | 6 |
| 79 | M03-3160000 | GTS1300 low hopper | 1 |
| 80 | M05-3009000 | rubber curtain low hopper GTS1300 | 1 |
| 81 | M05-3008000 | steel strip for rubber curtain low hopper | 1 |
| 82 | S01-M06020N-FN | hex bolt M6x20 | 5 |
| 83 | S03-M06000L-0N | tall self lock nut with nylon insert M6 | 5 |

| | | | |
|-------|----------------|--|---|
| 84 | M03-3506000 | high output cover | 1 |
| 85 | M03-3167000 | output | 1 |
| 86 | M03-0450000 | deflector fix bracket | 1 |
| 87 | S01-M06020B-FN | hexagon socket button head screw M6x20 | 2 |
| 88 | S04-0M0618B-IR | large washer 6 | 2 |
| 89 | M03-3047000 | deflector | 1 |
| 90 | S03-M06000X-0N | star head nut M6 | 1 |
| 91 | S01-M08016F-FN | flange bolt with hexagon head M8x16 | 5 |
| 92 | S05-MB00200 | hand grip 200mm | 1 |
| 93 | M03-3502000 | low output GTS13000 | 1 |
| 94 | S01-M08010B-FN | hexagon socket button head screw M8x10 | 2 |
| 96 | A07-GES1304 | GTS1300 V4 electrical start assembly | 1 |
| 96,1 | E01-PB12001 | battery E-start 12V 20Ah | 1 |
| 96,2 | M03-0132000 | rubber plate | 1 |
| 96,3 | M03-0455000 | battery fixation frame for caterpillar | 1 |
| 96,4 | S01-M10080N-FN | hex bolt M10x80 | 2 |
| 96,5 | S04-0M1020P-IR | plain washer 10 | 4 |
| 96,6 | S03-M10000L-0N | tall self lock nut with nylon insert M10 | 2 |
| 96,7 | E99-0000001 | guard cap red (+) | 2 |
| 96,8 | E05-050A002 | fuse holder for 50A fuse | 1 |
| 96,9 | E05-050A001 | fuse 50A | 1 |
| 96,10 | E99-0000018 | copper rod 30mm | 1 |
| 96,11 | E99-0000024 | special resin tube 20x2-1000mm | 1 |
| 96,12 | E03-R010000 | red cable 10mm ² | 1 |
| 96,13 | E09-0000005 | OT terminal | 4 |
| 96,14 | E03-B010000 | black cable 10mm ² | 1 |
| 96,15 | E99-0000002 | guard cap black (-) | 1 |
| 96,16 | M03-0134000 | battery fixation plate | 1 |
| 96,17 | S03-M08000W-0N | wing nut with edged wings M8 | 2 |
| 97 | M03-3507000 | grid 4x3 for GTS1300CV2 | |
| 98 | M02-3015000 | bumper support | 1 |
| 99 | A07-0003000 | tow bar assembly GTS1300V5 | 1 |
| ACC | M02-3008000 | push tool | 1 |

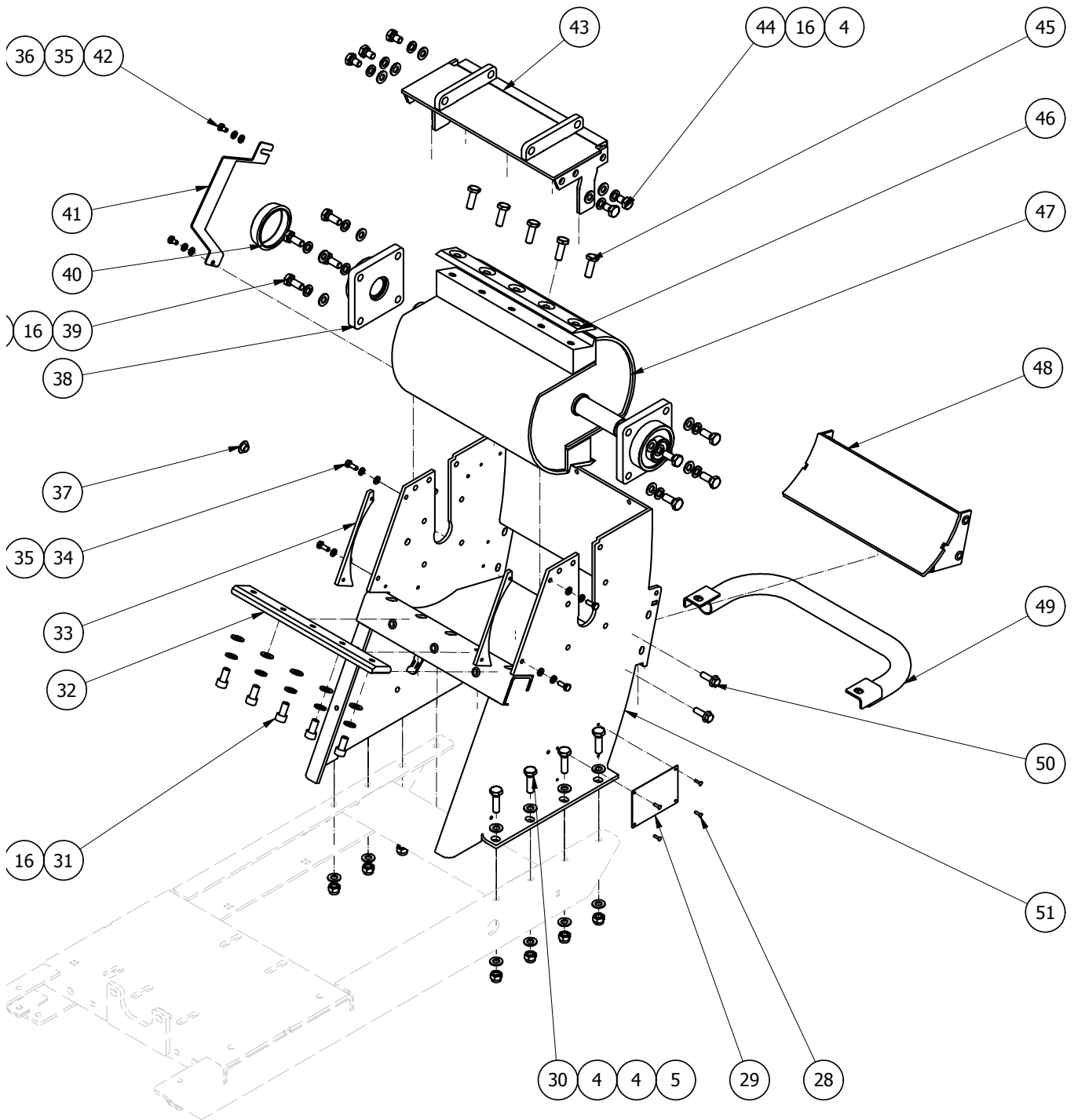
B. Engine, wheel & frame parts





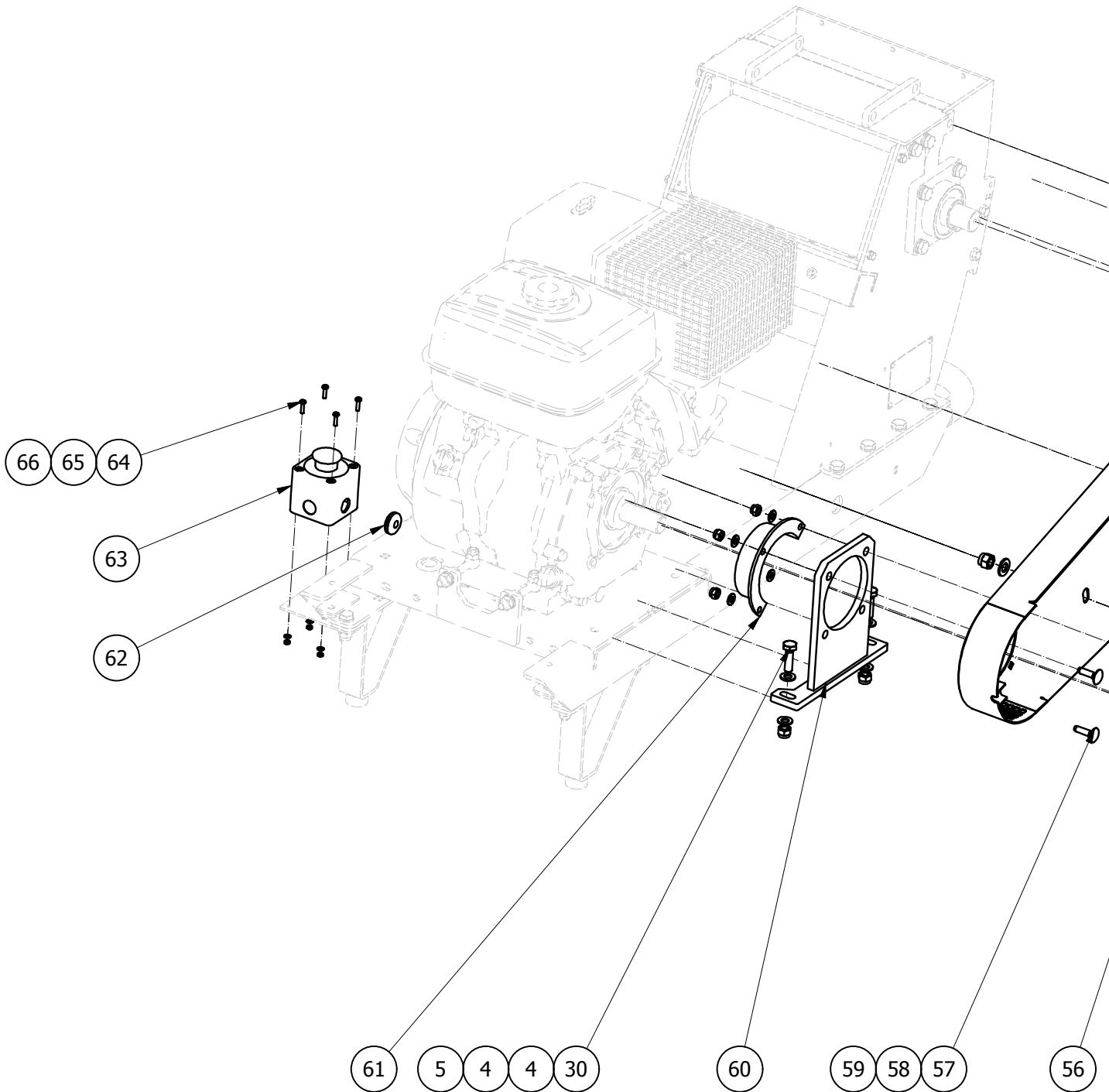
| PARTNR. | ARTICLE NUMBER | PART NAME | QTY |
|----------------|-----------------------|--|------------|
| 1 | M03-3163000 | GTS1300 V5 frame for gasoline | 1 |
| 2 | M03-3166000 | weldassembly engine lockingplate | 1 |
| 3 | S01-M10050N-FN | hex bolt M10x50 | 2 |
| 4 | S04-0M1020P-IR | plain washer 10 | 53 |
| 5 | S03-M10000L-0N | tall self lock nut with nylon insert M10 | 18 |
| 6 | S04-0M0815L-IR | open spring washer 8 | 2 |
| 7 | S03-M08000N-0N | hexagon standard nut M8 | 2 |
| 8 | S01-M10060N-FN | hex bolt M10x60 | 2 |
| 9 | S21-0007000 | vibration damper 15mm with stud M8 | 2 |
| 10 | M03-3165000 | ground support frame GTS1300V5 | 2 |
| 11 | M03-9078000 | emergency plate | 1 |
| 12 | S01-M10030N-FN | hex bolt M10x30 | 4 |
| 13 | S18-0000006 | feedthrough coil 34-27x21.0 | 1 |
| 14 | S01-M10080E-PN | eyebolt M10x80 | 2 |
| 15 | S03-M10000N-0N | hexagon standard nut M10 | 4 |
| 16 | S04-0M1016L-IR | open spring washer 10 | 21 |
| 17 | C01-GGTE420 | engine loncin GTE420F | 1 |
| or | C01-GGTE42E | engine loncin G420FD - electric start | 1 |
| or | C01-GB40GPN | engine MHI GB40 | 1 |
| or | C01-H0GX390 | engine Honda GX390 | 1 |
| 18 | B05-0002000 | heat protector Loncin/Honda | 1 |
| or | M02-9004000 | heat protector MHI | 1 |
| 19 | M03-301500H | muffler deflector for Honda/Loncin engines | 1 |
| or | M03-3019000 | muffler deflector MHI engines | 1 |
| 20 | S01-M04005T-FN | cross recessed head tapping screw 4,2x9,5 | 4 |
| 21 | S01-M08020F-FN | flange bolt with hexagon head M8x20 | 2 |
| 22 | M03-3168000 | locking plate for axle GTS1300V5 | 1 |
| 23 | M02-3006007 | wheel axle GTS1300 V5 | 1 |
| 24 | S04-0M2030P-IR | plain washer 20 | 4 |
| 25 | C05-W164008 | wheel 16-6.5-R8 axle 20mm air tire white rim | 2 |
| 26 | S09-O200000-01 | circlips 20 | 2 |
| 27 | M05-3002000 | wheel cap | 2 |

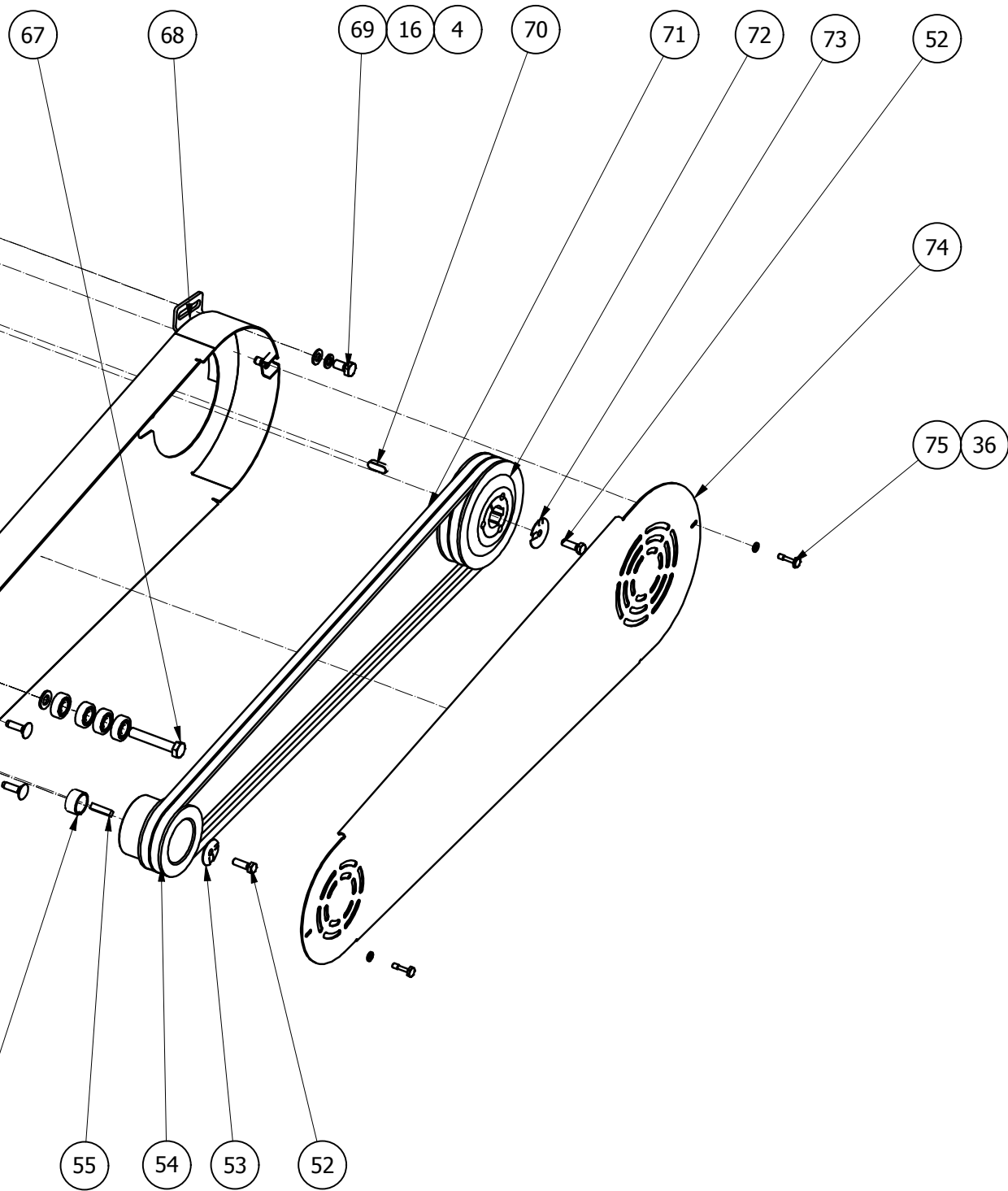
C. Shredderbox parts



| PARTNR. | ARTICLE NUMBER | PART NAME | QTY |
|----------------|-----------------------|---|------------|
| 4 | S04-0M1020P-IR | plain washer 10 | 53 |
| 5 | S03-M10000L-0N | tall self lock nut with nylon insert M10 | 18 |
| 16 | S04-0M1016L-IR | open spring washer 10 | 21 |
| 28 | S13-AL32090 | rivet 3.2x12 | 4 |
| 29 | M03-0213000 | serial numberplate De Wild NL | 1 |
| 30 | S01-M10035N-FN | hex bolt M10x35 | 10 |
| 31 | S01-M10020J-FN | inner hexagon socket head cap bolt M10x20 | 5 |
| 32 | M03-3017000 | counter blade GTS1300 | 1 |
| 33 | M03-3012000 | rotor protector | 2 |
| 34 | S01-M06016N-FN | hex bolt M6x16 | 4 |
| 35 | S04-0M0615L-IR | open spring washer 6 | 6 |
| 36 | S04-0M0612P-IR | plain washer 6 | 21 |
| 37 | S99-M120800 | thread plug M12x1.5-8 | 1 |
| 38 | S12-SSFY506-NN | flanged bearing house FY506M | 2 |
| 39 | S01-M10025N-FN | hex bolt M10x25 | 8 |
| 40 | M05-3001000 | bearing cap | 1 |
| 41 | M03-3040000 | bearing cap support | 1 |
| 42 | S01-M06010N-FN | hex bolt M6x10 | 2 |
| 43 | M03-3164000 | GTS1300V5 top of box | 1 |
| 44 | S01-M10016N-FN | hex bolt M10x16 | 5 |
| 45 | S01-M10030X-FN | special M10 bolt for blade | 10 |
| 46 | M03-014300P-X1 | X1 blade GTS1300 | 2 |
| 47 | M03-3020000 | rotor | 1 |
| 48 | M03-3503000 | low output cover GTS1300C | 1 |
| 49 | M02-3003000 | bumper | 1 |
| 50 | S01-M08025F-FN | flange bolt with hexagon head M8x25 | 7 |
| 51 | M03-3501000 | shredderbox GTS1300C | 1 |

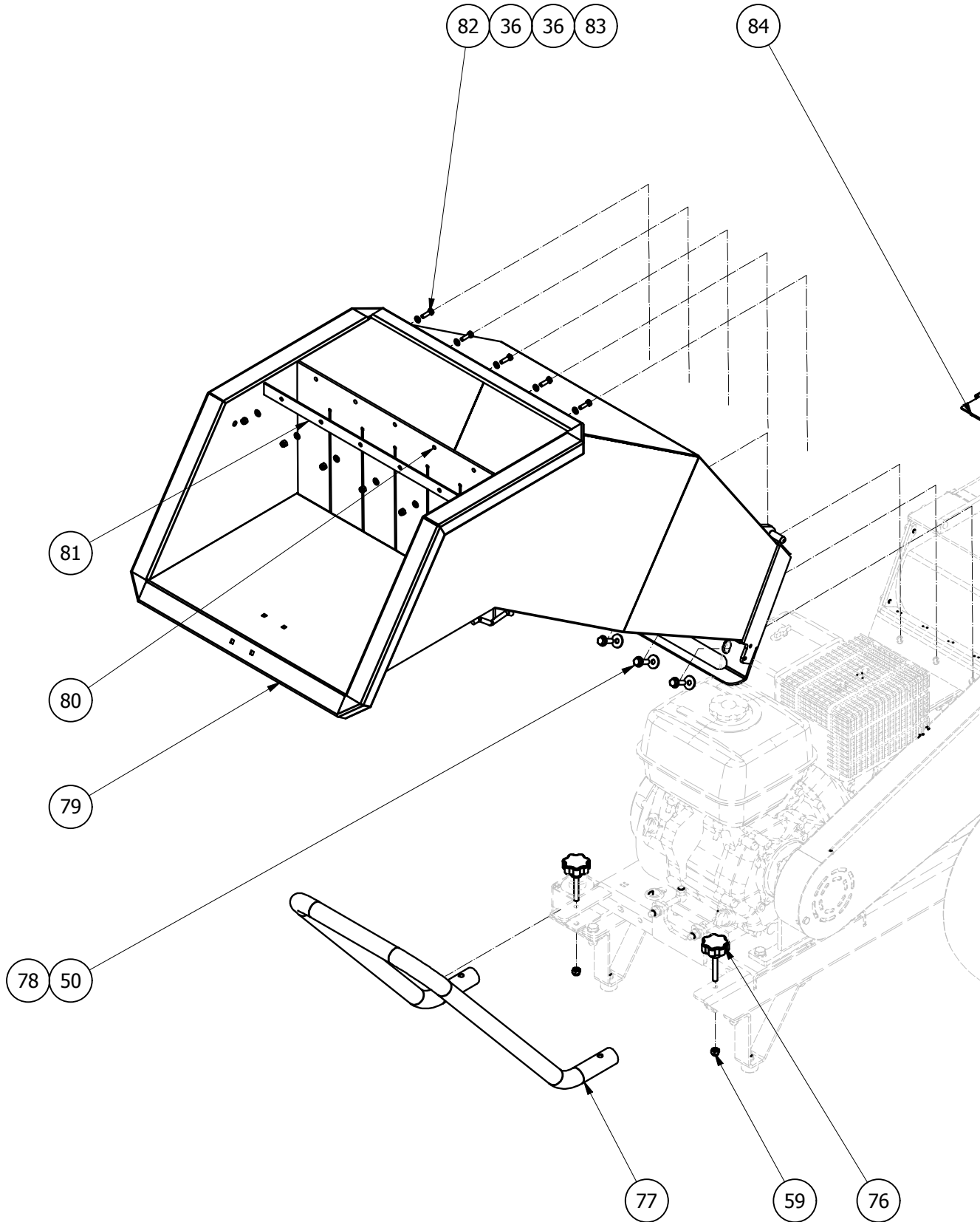
D. Belt & emergency button parts

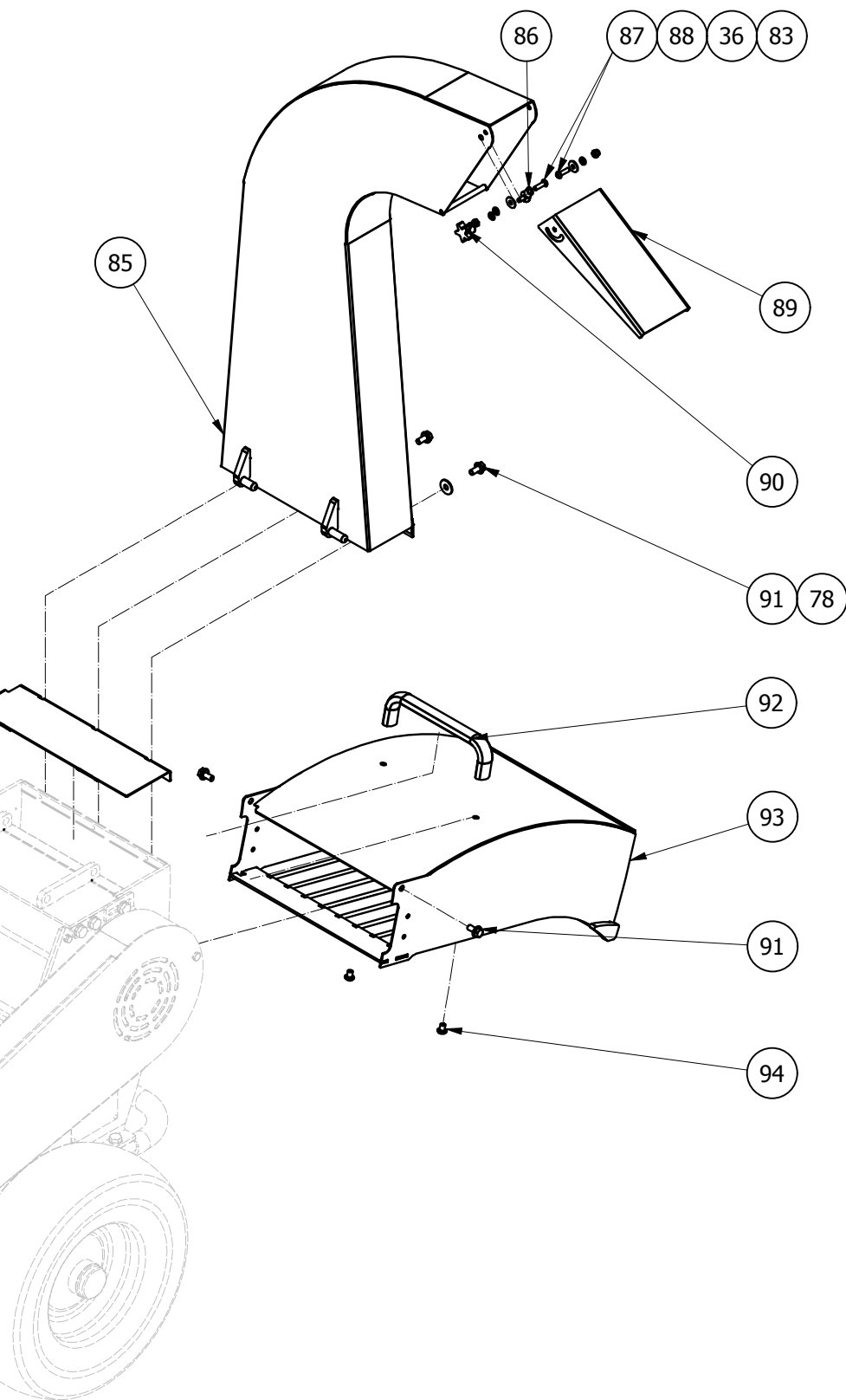




| PARTNR. | ARTICLE NUMBER | PART NAME | QTY |
|----------------|-----------------------|---|------------|
| 4 | S04-0M1020P-IR | plain washer 10 | 53 |
| 5 | S03-M10000L-0N | tall self lock nut with nylon insert M10 | 18 |
| 16 | S04-0M1016L-IR | open spring washer 10 | 21 |
| 30 | S01-M10035N-FN | hex bolt M10x35 | 10 |
| 36 | S04-0M0612P-IR | plain washer 6 | 21 |
| 52 | S01-M08025N-FN | hex bolt M8x25 | 2 |
| 53 | M03-3026000 | safety ring for engine | 1 |
| 54 | M07-002700T | taperlock pulley assembly Loncin MHI Honda engine | 1 |
| 55 | M01-3005000 | key for MHI engine | 1 |
| 56 | M01-3007000 | bush for engine shaft 16mm | 1 |
| 57 | S01-M08030X-PN | carriage bolt M8x30 | 4 |
| 58 | S04-0M0816P-IR | plain washer 8 | 4 |
| 59 | S03-M08000L-0N | tall self lock nut with nylon insert M8 | 6 |
| 60 | M03-3028000 | belt cover support weldment | 1 |
| 61 | M05-0014000 | protection cover for engine shaft | 1 |
| 62 | M05-3005000 | feedthrough coil 30-20x10 | 1 |
| 63 | E02-SPCOE01 | emergency switch | 1 |
| 64 | S01-M04016P-FN | cross recessed pan head screw M4x16 | 4 |
| 65 | S04-0M0408P-IR | plain washer 4 | 4 |
| 66 | S03-M04000N-0N | hexagon standard nut M4 | 4 |
| 67 | A07-0010000 | belt tensioner assembly | 1 |
| 68 | M03-0235000 | belt cover | 1 |
| 69 | S01-M10020N-FN | hex bolt M10x20 | 1 |
| 70 | S14-100828R | key 10x8-28 rotor | 1 |
| 71 | S07-A691780-LP | V-belt GTS1300 | 2 |
| 72 | M07-314600T | taperlock V-belt rotor pulley 146mm | 1 |
| 73 | M03-3025000 | safety ring for rotor | 1 |
| 74 | M03-0200000 | belt cover lid | 1 |
| 75 | S01-M06025X-PN | hex head bolt with reduced shank M6x25 | 2 |

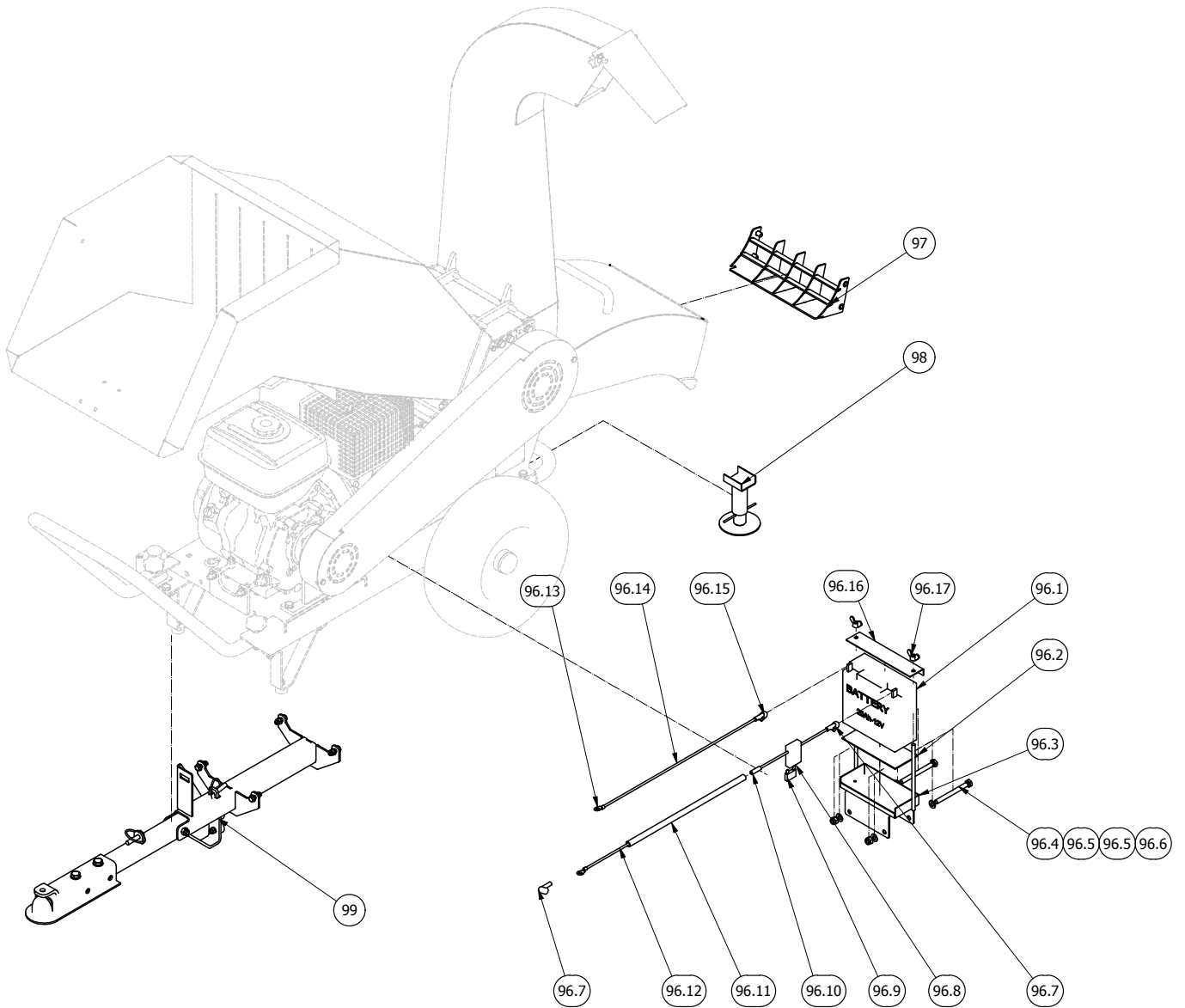
E. Input, output & handle parts





| PARTNR. | ARTICLE NUMBER | PART NAME | QTY |
|----------------|-----------------------|---|------------|
| 36 | S04-0M0612P-IR | plain washer 6 | 21 |
| 50 | S01-M08025F-FN | flange bolt with hexagon head M8x25 | 7 |
| 59 | S03-M08000L-0N | tall self lock nut with nylon insert M8 | 6 |
| 76 | S01-M08055S-FN | star headed bolt M8x55 | 2 |
| 77 | M02-3002000 | handle | 1 |
| 78 | S04-0M0820B-IR | large washer 8 | 6 |
| 79 | M03-3160000 | GTS1300 low hopper | 1 |
| 80 | M05-3009000 | rubber curtain low hopper GTS1300 | 1 |
| 81 | M05-3008000 | steel strip for rubber curtain low hopper | 1 |
| 82 | S01-M06020N-FN | hex bolt M6x20 | 5 |
| 83 | S03-M06000L-0N | tall self lock nut with nylon insert M6 | 5 |
| 84 | M03-3506000 | high output cover | 1 |
| 85 | M03-3167000 | output | 1 |
| 86 | M03-0450000 | deflector fix bracket | 1 |
| 87 | S01-M06020B-FN | hexagon socket button head screw M6x20 | 2 |
| 88 | S04-0M0618B-IR | large washer 6 | 2 |
| 89 | M03-3047000 | deflector | 1 |
| 90 | S03-M06000X-0N | star head nut M6 | 1 |
| 91 | S01-M08016F-FN | flange bolt with hexagon head M8x16 | 5 |
| 92 | S05-MB00200 | hand grip 200mm | 1 |
| 93 | M03-3502000 | low output GTS13000 | 1 |
| 94 | S01-M08010B-FN | hexagon socket button head screw M8x10 | 2 |

F. Accessories



| PARTNR. | ARTICLE NUMBER | PART NAME | QTY |
|----------------|-----------------------|--|------------|
| 96 | A07-GES1304 | GTS1300 V4 electrical start assembly | 1 |
| 96,1 | E01-PB12001 | battery E-start 12V 20Ah | 1 |
| 96,2 | M03-0132000 | rubber plate | 1 |
| 96,3 | M03-0455000 | battery fixation frame for caterpillar | 1 |
| 96,4 | S01-M10080N-FN | hex bolt M10x80 | 2 |
| 96,5 | S04-0M1020P-IR | plain washer 10 | 4 |
| 96,6 | S03-M10000L-0N | tall self lock nut with nylon insert M10 | 2 |
| 96,7 | E99-0000001 | guard cap red (+) | 2 |
| 96,8 | E05-050A002 | fuse holder for 50A fuse | 1 |
| 96,9 | E05-050A001 | fuse 50A | 1 |
| 96,10 | E99-0000018 | copper rod 30mm | 1 |
| 96,11 | E99-0000024 | special resin tube 20x2-1000mm | 1 |
| 96,12 | E03-R010000 | red cable 10mm ² | 1 |
| 96,13 | E09-0000005 | OT terminal | 4 |
| 96,14 | E03-B010000 | black cable 10mm ² | 1 |
| 96,15 | E99-0000002 | guard cap black (-) | 1 |
| 96,16 | M03-0134000 | battery fixation plate | 1 |
| 96,17 | S03-M08000W-0N | wing nut with edged wings M8 | 2 |
| 97 | M03-3507000 | grid 4x3 for GTS1300CV2 | |
| 98 | M02-3015000 | bumper support | 1 |
| 99 | A07-0003000 | tow bar assembly GTS1300V5 | 1 |
| ACC | M02-3008000 | push tool | 1 |

GTM
PROFESSIONAL®

www.gtmprofessional.com