



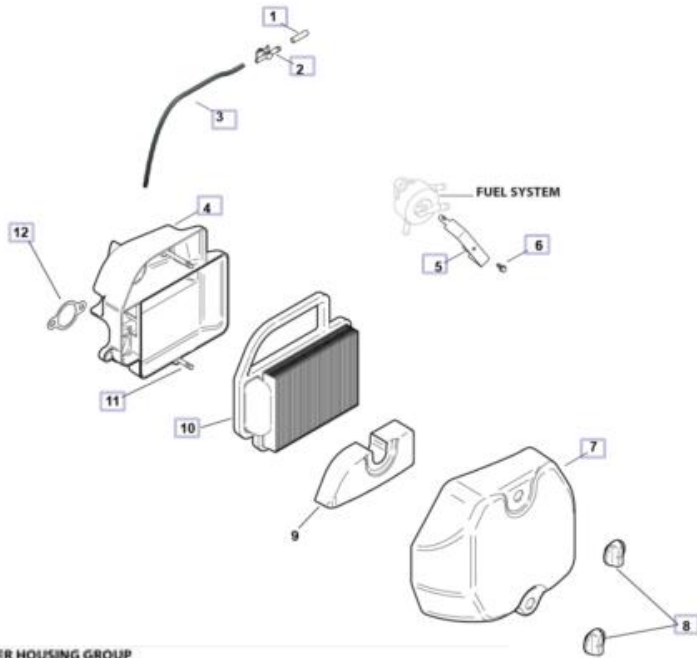
**SV471-3211**

Idle Speed 1750 RPM/High Speed 3300 RPM - E3

**HUSQVARNA**

**AIR INTAKE GROUP**

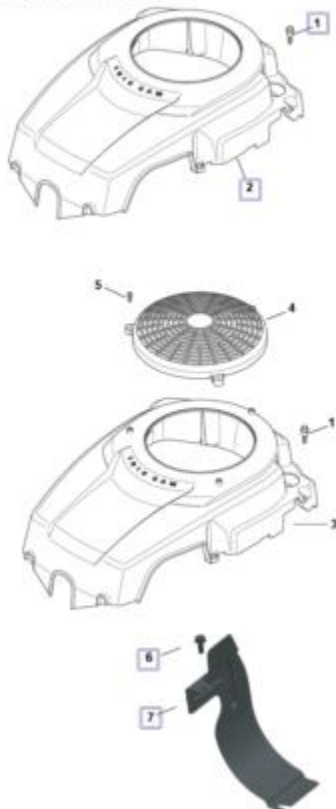
SV470, 471, 480, 530, 540, 541, 590, 591, 600, 601, 610, 620



Ref #	Part #	Description	Qty
1	<a href="#">25 173 33-S</a>	CAP, MASKING	1
2	<a href="#">25 155 51-S</a>	CONNECTOR, EVAPORAT...	1
3	<a href="#">25 326 28-S</a>	HOSE, EVAPORATIVE	1
4	<a href="#">20 094 11-S</a>	KIT, AIR CLEANER BASE	1
5	<a href="#">20 126 12-S</a>	BRACKET, FUEL PUMP	1
6	<a href="#">M-445010-S</a>	SCREW, THRD FRM M4X0...	1
7	<a href="#">20 096 15-S</a>	KIT, AIR CLEANER COVER	1
8	<a href="#">25 341 04-S</a>	KNOB, COVER	2
10	<a href="#">20 083 06-S</a>	AIR CLEANER ELEMENT	1
11	<a href="#">20 072 04-S</a>	STUD, AIR CLEANER BASE	2
12	<a href="#">12 041 02-S</a>	GASKET, AIR CLEANER B...	1
	<a href="#">54 755 01-S</a>	KIT, KNOB W/SEAL NOT ILLUSTRATED	1

**BLOWER HOUSING GROUP**

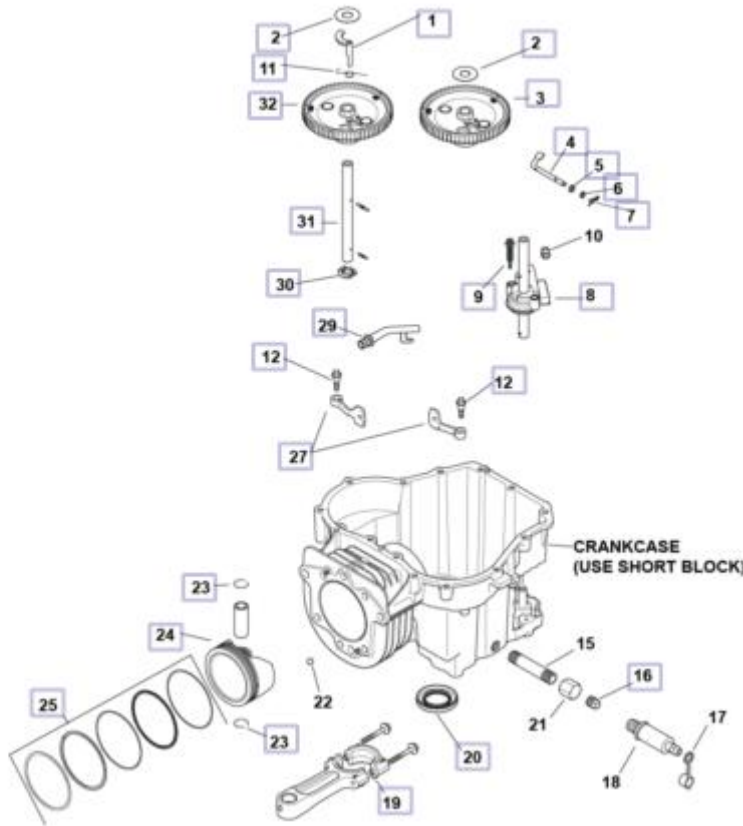
SV470, 471, 480, 530, 540, 541, 590, 591, 600, 601, 610, 620



Ref #	Part #	Description	Qty
1	<a href="#">20 086 06-S</a>	SCREW, SHD THD FRM M...	4
2	<a href="#">20 027 13-S</a>	HOUSING, BLOWER	1
6	<a href="#">25 086 397-S</a>	SCREW, THREAD FORMI...	2
7	<a href="#">20 063 03-S</a>	BAFFLE, BARREL	1

**CRANKCASE GROUP**

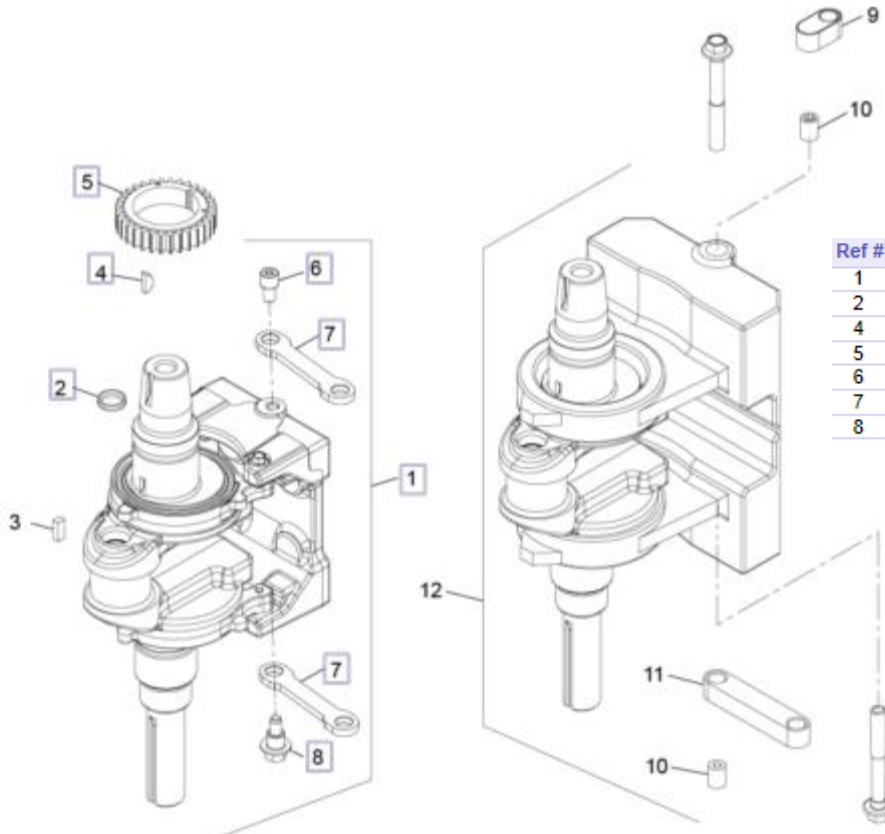
SV470, 471, 480, 530, 540, 541, 590, 591, 600, 601, 610, 620



Ref #	Part #	Description	Qty
1	<a href="#">20 044 32-S</a>	KIT, ACR WEIGHT AND F...	1
2	<a href="#">20 468 03-S</a>	WASHER, THRUST -ACR	2
3	<a href="#">20 010 22-S</a>	CAM GEAR ASSEMBLY, I...	2
4	<a href="#">20 144 02-S</a>	SHAFT, GOVERNOR CRO...	1
5	<a href="#">M-631015-S</a>	WASHER, FLAT 6 MM	1
6	<a href="#">X-25-102-S</a>	WASHER, FLAT 1/4"	1
7	<a href="#">12 154 05-S</a>	CLIP, HITCH PIN	1
9	<a href="#">20 086 12-S</a>	SCREW, SHD THD FRM	2
8	<a href="#">20 393 02-S</a>	KIT, OIL PUMP ASSEMBLY	1
12	<a href="#">20 086 06-S</a>	SCREW, SHD THD FRM M...	2
16	<a href="#">25 139 57-S</a>	PLUG, SQ HD PIPE 3/8"	1
19	<a href="#">20 067 05-S</a>	ROD, CONNECTING ASSE...	1
20	<a href="#">20 032 08-S</a>	SEAL, OIL	1
23	<a href="#">62 018 04-S</a>	RETAINER, PISTON PIN	2
24	<a href="#">20 874 16-S</a>	KIT, PISTON,RINGS & PIN ...	1
25	<a href="#">20 108 04-S</a>	RING SET (94MM)	1
27	<a href="#">20 090 12-S</a>	KIT, CAM LEVER	2
29	<a href="#">20 123 02-S</a>	TUBE, DRAINBACK	1
30	<a href="#">20 468 08-S</a>	WASHER, THRUST	1
31	<a href="#">20 144 11-S</a>	KIT,CAM CENTER SHAFT ...	1
32	<a href="#">20 010 23-S</a>	CAM GEAR ASSEMBLY, E...	1
33	<a href="#">20 089 06-S</a>	SPRING, ACR	1

**CRANKSHAFT GROUP**

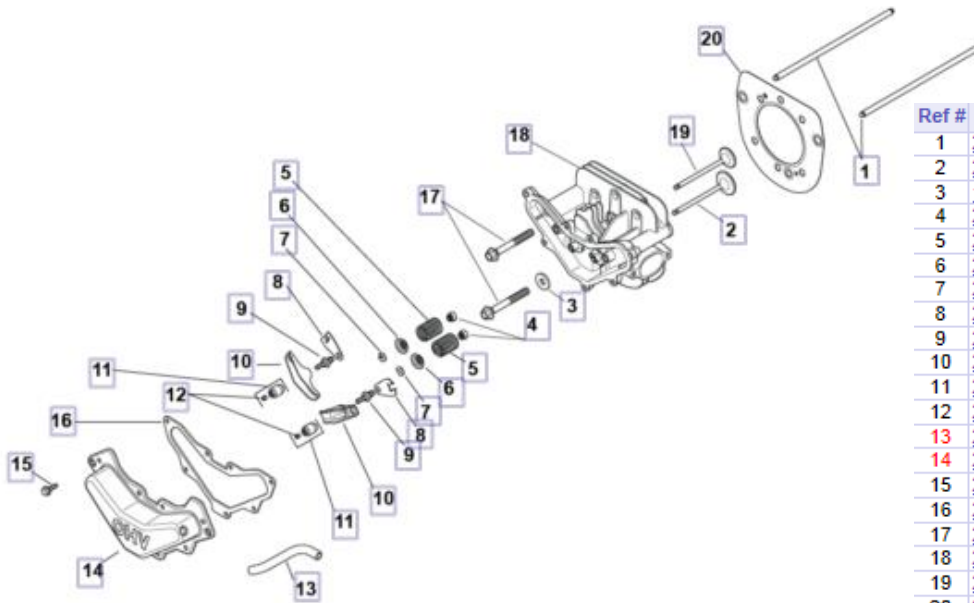
SV470, 471, 480, 530, 540, 541, 590, 591, 600, 601, 610, 620



Ref #	Part #	Description	Qty
1	<a href="#">20 014 47-S</a>	CRANKSHAFT ASSEMBLY	1
2	<a href="#">25 139 27-S</a>	PLUG, CUP	1
4	<a href="#">X-42-15-S</a>	KEY, 3/16" X 5/8"	1
5	<a href="#">20 043 15-S</a>	GEAR, CRANKSHAFT	1
6	<a href="#">25 086 214-S</a>	SCREW, LINK PIVOT	1
7	<a href="#">20 186 06-S</a>	LINKAGE, BALANCE WEIG...	1
8	<a href="#">25 086 213-S</a>	SCREW, SHOULDER	1

### CYLINDER HEAD/BREATHER GROUP

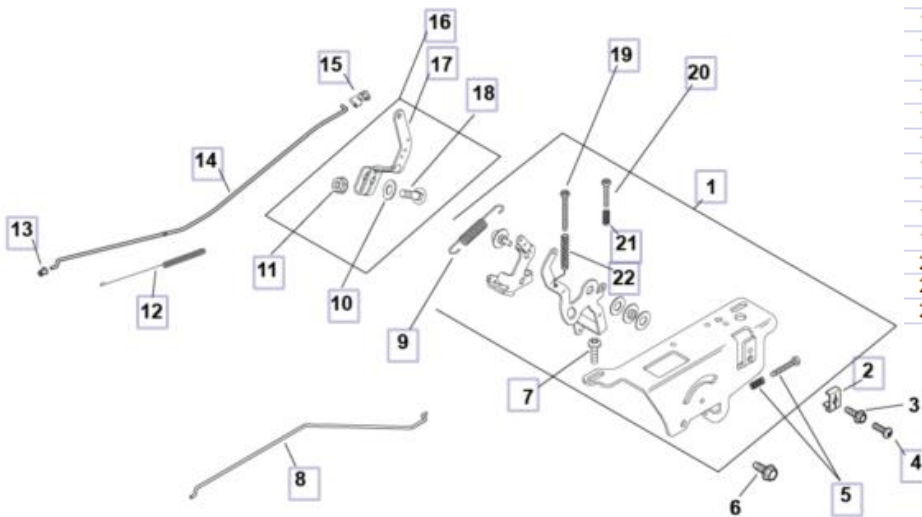
SV470, 471, 480, 530, 540, 541, 590, 591, 600, 601, 610, 620



Ref #	Part #	Description	Qty
1	<a href="#">20 411 05-S</a>	ROD, PUSH	2
2	<a href="#">20 017 01-S</a>	VALVE, INTAKE	1
3	<a href="#">12 468 05-S</a>	WASHER, FLAT 13/32"	1
4	<a href="#">20 032 10-S</a>	SEAL, VALVE STEM	1
5	<a href="#">20 089 03-S</a>	SPRING, VALVE	2
6	<a href="#">20 173 01-S</a>	CAP, VALVE SPRING	2
7	<a href="#">20 062 01-S</a>	LOCK, RETAINER	2
8	<a href="#">20 146 03-S</a>	PLATE, PUSH ROD GUIDE	2
9	<a href="#">20 072 08-S</a>	STUD, ROCKER	2
10	<a href="#">20 186 01-S</a>	ARM, ROCKER	2
11	<a href="#">20 599 04-S</a>	ROCKER PIVOT ASSEMBLY	2
12	<a href="#">20 086 04-S</a>	SCREW, SET	2
13	<a href="#">20 326 20-S</a>	HOSE, BREATHER USE 2...	1
14	<a href="#">20 096 23-S</a>	COVER ASSY, VALVE - U...	1
15	<a href="#">25 086 396-S</a>	SCREW, THREAD FORMI...	7
16	<a href="#">20 041 13-S</a>	GASKET, VALVE COVER	1
17	<a href="#">20 086 02-S</a>	SCREW, CYLINDER HEAD...	6
18	<a href="#">20 318 14-S</a>	KIT, CYLINDER HEAD	1
19	<a href="#">20 016 01-S</a>	VALVE, EXHAUST	1
20	<a href="#">20 841 01-S</a>	KIT, CYLINDER HEAD GA...	1
	<a href="#">20 755 38-S</a>	KIT, CYLINDER HEAD HA...	1
		NOT ILLUSTRATED	

### ENGINE CONTROLS GROUP

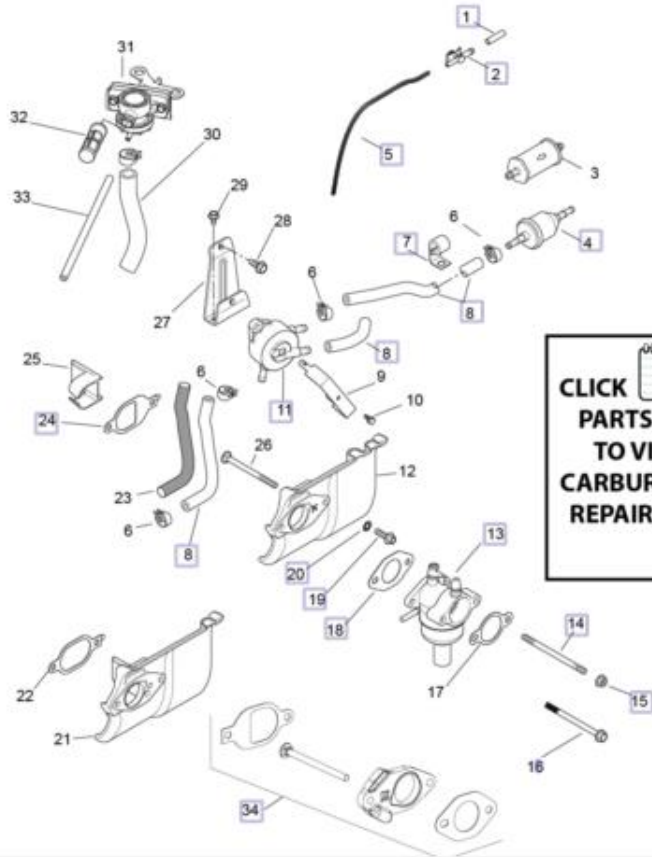
SV470, 471, 480, 530, 540, 541, 590, 591, 600, 601, 610, 620



Ref #	Part #	Description	Qty
1	<a href="#">20 536 06-S</a>	KIT, SPEED CONTROL AS...	1
2	<a href="#">12 237 01-S</a>	CLAMP, CABLE	1
4	<a href="#">25 086 405-S</a>	SCREW, THREAD FORMI...	1
5	<a href="#">25 086 297-S</a>	KIT, IDLE ADJ SCREW & S...	1
7	<a href="#">25 086 403-S</a>	SCREW, THREAD FORMI...	2
8	<a href="#">20 079 05-S</a>	LINKAGE, CHOKE	1
9	<a href="#">20 089 11-S</a>	SPRING, GOVERNOR	1
10	<a href="#">X-22-11-S</a>	WASHER, INT TOOTH LO...	1
11	<a href="#">12 100 07-S</a>	NUT, FLANGE 1/4-20	1
12	<a href="#">20 089 10-S</a>	SPRING, LINKAGE	1
13	<a href="#">25 158 08-S</a>	BUSHING, LINKAGE RETA...	1
14	<a href="#">20 079 07-S</a>	LINKAGE, THROTTLE	1
15	<a href="#">25 158 11-S</a>	BUSHING, THROTTLE LIN...	1
16	<a href="#">20 090 11-S</a>	LEVER, GOVERNOR ASS...	2
17	<a href="#">20 090 02-S</a>	LEVER, GOVERNOR - US...	1
18	<a href="#">52 211 04-S</a>	BOLT, RD HD SQ NCK 1/4...	1
19	<a href="#">20 086 18-S</a>	SCREW, PHL THD FRM M...	1
20	<a href="#">20 086 10-S</a>	SCREW, PHL THD FRM M...	1
21	<a href="#">12 089 11-S</a>	SPRING, SPEED CONTROL...	1
22	<a href="#">20 089 13-S</a>	SPRING, SPEED CONTROL	2

**FUEL SYSTEM GROUP**

SV470, 471, 480, 530, 540, 541, 590, 591, 600, 601, 610, 620

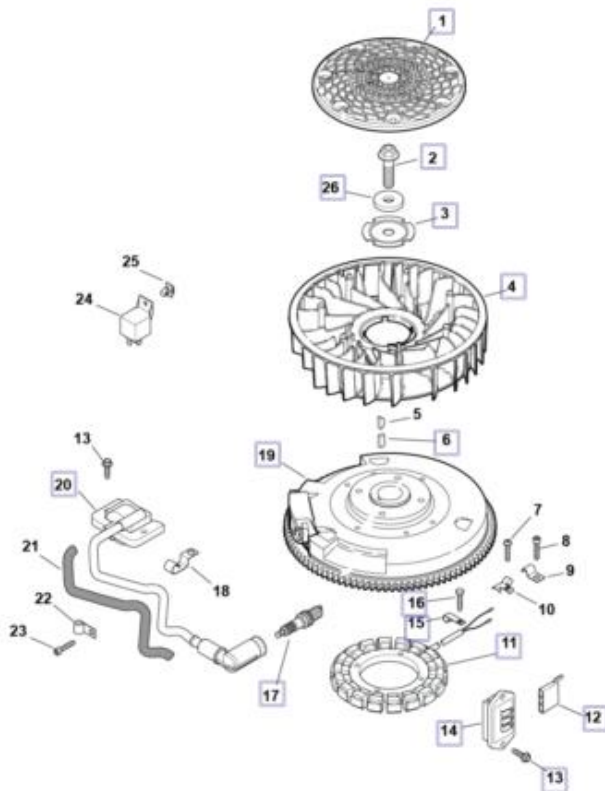


CLICK  IN PARTS LIST TO VIEW CARBURETOR REPAIR KITS

Ref #	Part #	Description	Qty
1	<a href="#">25 173 33-S</a>	CAP, MASKING	1
2	<a href="#">25 155 51-S</a>	CONNECTOR, EVAPORAT...	1
4	<a href="#">25 050 22-S</a>	FILTER, FUEL 51 MICRON ...	1
5	<a href="#">25 326 28-S</a>	HOSE, EVAPORATIVE	1
7	<a href="#">47 154 01-S</a>	CLIP, CABLE	1
8	<a href="#">25 111 34-S</a>	HOSE, LW PERM. FUEL 24...	2
11	<a href="#">24 393 16-S</a>	PUMP, FUEL	1
13	<a href="#">20 853 86-S</a>	KIT, CARBURETOR	1
14	<a href="#">20 072 10-S</a>	STUD	1
15	<a href="#">M-641060-S</a>	NUT, FLG M6X1.0	2
18	<a href="#">12 041 01-S</a>	GASKET, CARBURETOR	1
19	<a href="#">M-651020-S</a>	SCREW, FLG M6x1.0x20	1
20	<a href="#">X-22-11-S</a>	WASHER, INT TOOTH LO...	1
24	<a href="#">20 041 18-S</a>	GASKET, HEAT DEFLECT...	1
34	<a href="#">20 112 08-S</a>	KIT, CARBURETOR SPAC...	1
	<a href="#">25 454 05-S</a>	TIE NOT ILLUSTRATED	1
	<a href="#">20 314 08-S</a>	SHIELD, HEAT NOT ILLUSTRATED	1
	<a href="#">25 237 37-S</a>	CLAMP SPRING HOSE NOT ILLUSTRATED	2

**IGNITION/CHARGING GROUP**

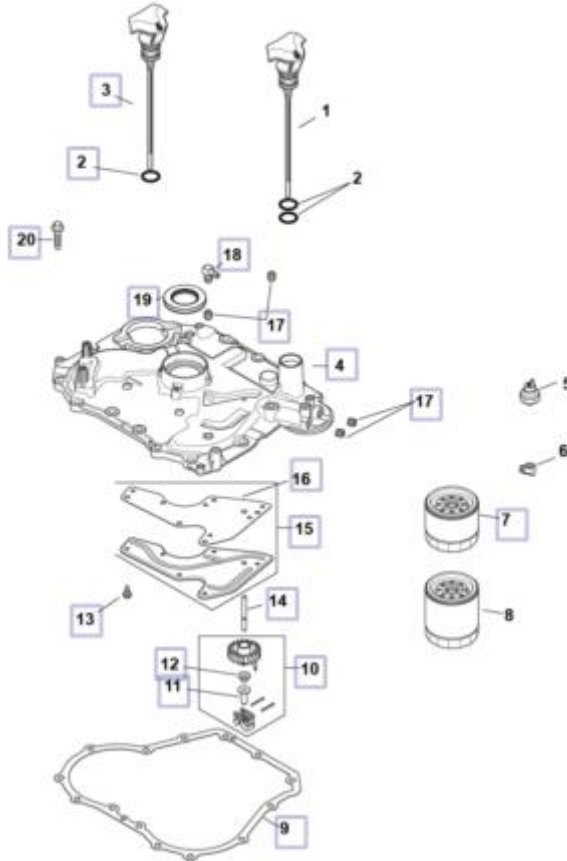
SV470, 471, 480, 530, 540, 541, 590, 591, 600, 601, 610, 620



Ref #	Part #	Description	Qty
1	<a href="#">20 162 02-S</a>	SCREEN, GRASS	1
2	<a href="#">25 086 362-S</a>	SCREW, HEX FLANGE	1
3	<a href="#">20 146 05-S</a>	PLATE, FAN MOUNTING	1
4	<a href="#">20 157 01-S</a>	FAN	1
6	<a href="#">25 340 04-S</a>	KEY, SQUARE	1
11	<a href="#">237878-S</a>	KIT, 15 / 20 AMP STATOR	1
12	<a href="#">25 155 41-S</a>	CONNECTOR	1
13	<a href="#">25 086 399-S</a>	SCREW, THREAD FORMI...	2
14	<a href="#">41 403 10-S</a>	REGULATOR/RECTIFIER	1
15	<a href="#">20 154 04-S</a>	CLIP, WIRE	1
16	<a href="#">25 086 402-S</a>	SCREW, THREAD FORMI...	2
17	<a href="#">25 132 14-S</a>	SPARK PLUG, RFI	1
19	<a href="#">20 025 44-S</a>	FLYWHEEL ASSEMBLY	1
20	<a href="#">20 584 03-S</a>	MODULE, IGNITION (CDI F...	1
26	<a href="#">25 468 09-S</a>	WASHER, FLAT	1
	<a href="#">20 176 13-S</a>	HARNES, WIRING USE 2... NOT ILLUSTRATED	1
	<a href="#">25 454 05-S</a>	TIE	1

**LUBRICATION GROUP**

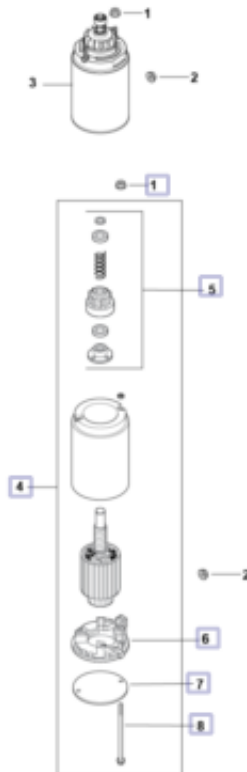
SV470, 471, 480, 530, 540, 541, 590, 591, 600, 601, 610, 620



Ref #	Part #	Description	Qty
2	25 153 09-S	O-RING	1
3	20 040 08-S	BLADE, DIPSTICK ASSEM...	1
4	20 009 35-S	PLATE, CLOSURE ASSEM...	1
7	12 050 01-S	OIL FILTER	1
9	20 041 21-S	GASKET, CLOSURE PLATE	1
10	25 310 07-S	KIT, GOVR GEAR ASSY - (...	1
11	12 380 01-S	PIN, GOVERNOR REGULA...	1
12	62 380 02-S	PIN, GOVERNOR REGULA...	1
13	M-545013-S	SCREW, FLG THD FRM M...	3
14	20 144 03-S	SHAFT, GOVERNOR CRO...	1
15	20 096 21-S	KIT, OIL PASSAGE COVER	1
16	20 041 19-S	GASKET, OIL PASSAGE	1
17	25 139 60-S	PLUG, CTSK PIPE 1/8"	1
18	25 155 02-S	CONNECTOR, 90 DEG. H...	1
19	20 032 08-S	SEAL, OIL	1
20	25 086 421-S	SCREW, HEX FLANGE	14

**STARTING GROUP**

SV470, 471, 480, 530, 540, 541, 590, 591, 600, 601, 610, 620



Ref #	Part #	Description	Qty
1	25 100 56-S	NUT, HEX FLANGE LOCK ...	2
4	20 098 10-S	ELECTRIC STARTER-BEN...	1
5	20 755 12-S	KIT, DRIVE (J.E.) - (#DSC)	1
6	12 221 02-S	BRUSH KIT	1
7	20 227 01-S	CAP, DRIVE END (J.E.)	1
8	20 211 02-S	BOLT, THRU	1

**KOHLER ENGINES**

KOHLER DE MÉXICO S.A. DE C.V.  
 NORTE 45 No. 772 INDUSTRIAL VALLEJO  
 C.P. 02300 MÉXICO, D.F.  
 Tel.(55) 36 89 13 00 y 55 87 07 11  
 Fax.(55) 53 68 20 87 y 53 68 46 75

Elaborado por: DMA/Soporte Técnico